

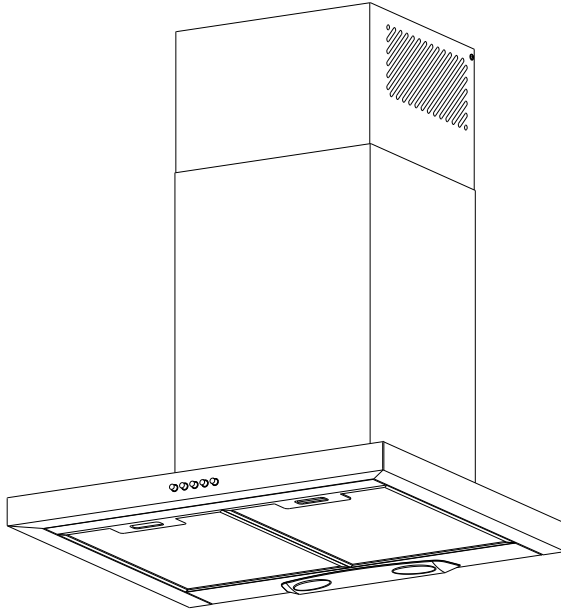
Instruction Manual GB

Manuel D'utilisation FR

Manual de instrucción E

Руководство по эксплуатации PY

دليل الاستعمال SA



DECORATIVE CHIMNEY HOOD -HOTTE DECORATIVE  
CAMPANA EXTRACTORA DECORATIVO -ДЕКОРАТИВНЫЕ ВЫТЯЖКИ  
شفاط مطبخ ديكوري المظهر-

Dear Customer,

Thank you very much for your preference for Simfer products. Our objective is to ensure that you enjoy this product, manufactured environmentally-friendly with a total sense of quality in a precise working environment at our modern facilities, most efficiently.

We recommend you to read the instruction manual carefully and keep it handy before you use this Simfer chimney hood so that it maintains its quality just like the first day you bought it and serves you most efficiently.

**NOTE:**

This Instruction Manual has been prepared for a variety of models. Some of the features specified in the Manual may not exist in your device. These features are marked with \*.

Our devices are designed for domestic use. They are not for professional use.

"PLEASE READ THE INSTRUCTIONS BEFORE YOU INSTALL OR USE THIS DEVICE."


This product has been manufactured in an environmentally-friendly and modern plants without harming the nature.

"Conforms with the EEE Regulations."



CONTENTS:

<b>1.SAFETY INTRODUCTIONS</b>	<b>3</b>
<b>2. INTRODUCTION AND TECHNICAL DRAWING OF THE CHIMNEY HOOD...</b>	<b>4</b>
<b>3.INSTALLATION OF CHIMNEY HOOD.....</b>	<b>5</b>
3.1.Location of the Chimney Hood.....	
3.2.Installation of Mounting Bracket to the Chimney Hood.....	
3.3.Installation of Wall Mounting Bracket.....	
3.4.Installation of Inner Duct Mounting Bracket .....	
<b>4.MOUNTING THE CHIMNEY HOOD ON THE WALL.....</b>	<b>6</b>
4.1.Leveling the Chimney Hood.....	
4.2.Mounting the Aluminum Pipe.....	
<b>5.FUNCTIONS OF THE CHIMNEY HOOD .....</b>	<b>7</b>
5.1.Control Panel and its Functions.....	
5.2.Operating the Chimney Hood.....	
5.3.In ducted use.....	
5.4.Round Charcoal Filter.....	
5.5.Use of Charcoal Filter.....	
5.6.Installation of Charcoal Filter.....	
5.7.Use of Aluminum Cartridge Filter.....	
<b>6.REPLACING THE BULB.....</b>	<b>9</b>
6.1.Led.....	
6.2.Candle Type Halogen Bulb.....	
<b>7.MAINTENANCE OF THE CHIMNEY HOOD.....</b>	<b>10</b>
<b>8.IF CHIMNEY HOOD DOES NOT WORK.....</b>	<b>11</b>



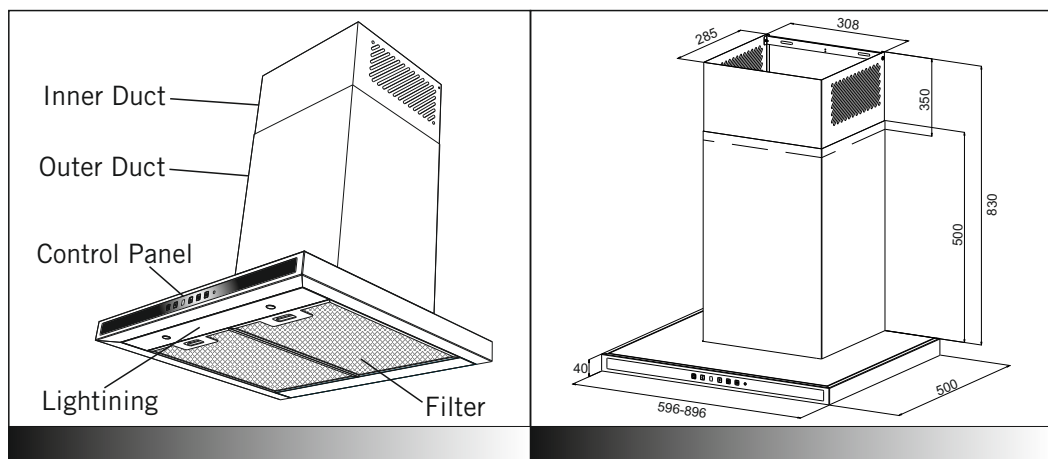
## 1. SAFETY INSTRUCTIONS

- This product is designed for domestic use.
- Product Voltage is 220-240 Volts 50Hz.
- Power cord of your product is fitted with grounded plug. This cord must be plugged into a grounding socket.
- All electrical installation must be done by a qualified electrician.
- Installation by unqualified persons may lead the product run with lower performance, be damaged or cause accidents.
- Power supply cord should not be jammed or crushed. Power cord should not be close to hobs, etc, otherwise it may melt and cause fire.
- Do not plug in the product into a socket before the installation is complete.
- Make sure the mains switch is easily accessible in order to cut the power of the product in case of any danger.
- Do not touch the bulbs of your product if used for a long period of time. The bulbs will be hot and may burn your hand.
- Kitchen chimneys are designed for domestic use. If used for other purposes, it may lead to a failure and not be covered under the warranty.
- Follow the authorized agencies' rules and regulations regarding letting out the air. (This warning does not apply to usage with non-ducted chimney hoods.)
- Food that may burst into flames should not be cooked under the device.
- Turn on the product after you place pots, pans, etc on the hobs. Otherwise excess heat may cause deformation of some parts of your product.
- Do not leave hot oil on the hobs. Pans with hot oil inside may cause self-ignition.
- When cooking i.e. deep frying, hot oil may burst into flames. Be careful on your curtains and cloths.
- Make sure you replace the filters at the recommended intervals. Filters not replaced on time carry fire risk due to increase of grease on them.
- Do not use non-fire-resistant materials instead of filters.
- Keep the potentially dangerous packaging materials away from children.
- Do not use your product without a filter, do not remove filters when the product is operating.
- In case of start of flames, cut off the power of the chimney fan and cooker. (Cut off the power by unplugging the device).

## 1. SAFETY INSTRUCTIONS

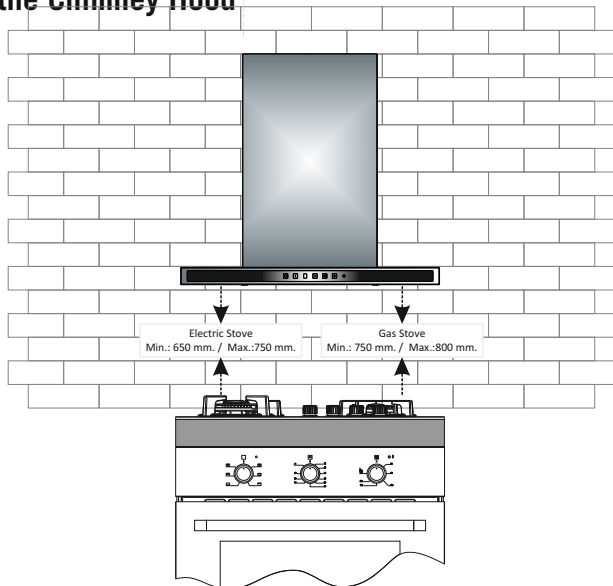
- Turn off the hobs before you remove pots, pans, etc.
  - If the cleaning is not done periodically, your product may carry fire risk.
  - Cut off the power supply before any maintenance work. (Cut off the power by unplugging the device.)
  - For duct-out chimney hoods, use pipes with a diameter of 150mm or 120mm. You should minimize the ducting distance with minimum bends.
  - Make sure your children do not play with the product. Do not let young children operate the product.
  - If the power cord is damaged, the damaged cord should be replaced by the manufacturer or its service agent or similarly specialized personnel in order to avoid a dangerous situation.
  - In case of start of flames, cut off the power of the chimney fan and cooker and cover the flame. Do not use water to extinguish the fire.
- Install "MAX 6 A" fuse for the extractor fan.

## 2. INTRODUCTION AND TECHNICAL DRAWING OF THE CHIMNEY HOOD



### 3.INSTALLATION OF CHIMNEY HOOD

#### 3.1.Location of the Chimney Hood

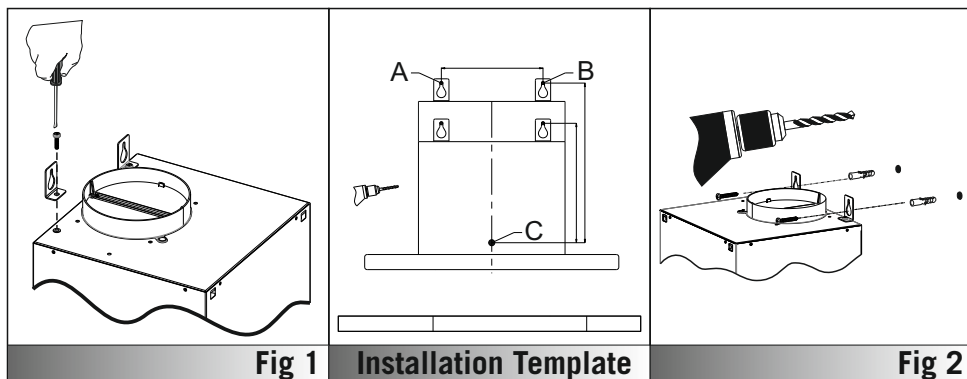


#### 3.2.Installation of Mounting Bracket to the Chimney Hood

Fix the 2 (two) Mounting brackets among the installation accessories to the chimney hood with one 1 screw nut as shown in **Figure 1**. Make sure mounting brackets are inserted in motor box.

#### 3.3.Installation of Wall Mounting Bracket

3 drywall (8mm) anchors are nailed into the holes drilled according to installation template (**A,B,C**). They are fixed into the wall with 2 brackets as shown in **Figure 2**.



### 3.4. Installation of Inner Duct Mounting Bracket

2 fixing holes are drilled on the wall with  $\text{\O}6\text{mm}$  electric drill at a suitable height and place to fix the inner duct hanger plate onto the wall. 6mm drywall anchors are nailed into those holes and inner duct mounting brackets are pinned down.

At the last step of chimney hood installation, the inner duct is screwed on the inner duct mounting brackets.

### 4. MOUNTING THE CHIMNEY HOOD ON THE WALL

Lift the chimney hood body and fix the hanger plates onto the wall anchors as shown in **Figure 3**.

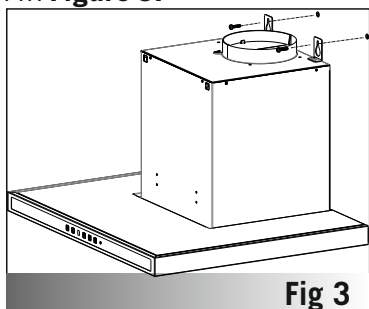


Fig 3

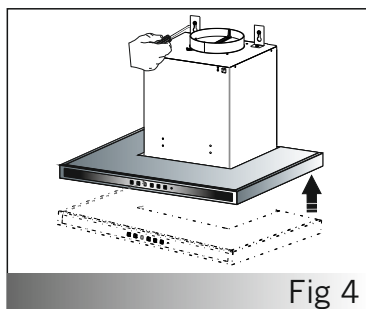


Fig 4

#### 4.1. Leveling the Chimney Hood

If the chimney hood is inclined on one side, the chimney hood can be leveled with the adjustment screws as shown in **Figure 4**.

Once the balancing is complete, the screws shown in **Figure 5** must be fixed tightly.

After this, fix the body with one screw through the hole on the body.

#### 4.2. Mounting the Aluminum Pipe

Place the aluminum pipe on the plastic duct. Place the other end of the pipe into the air outlet in the kitchen. **Figure 6**

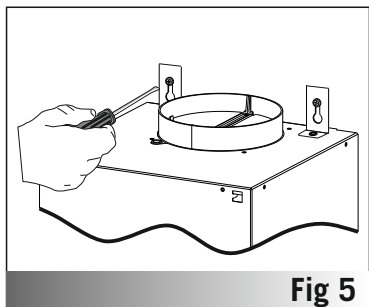


Fig 5

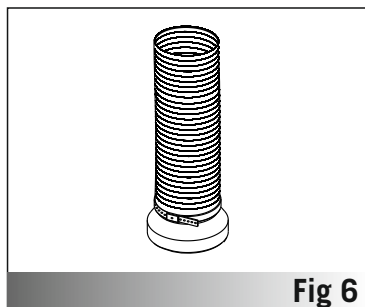


Fig 6

Twists and bends on the aluminum pipe may cause minimizing the air suction so avoid unnecessary bends and twists as much as possible.

Place the inner duct and outer duct carefully on the product. Fix the inner duct to inner duct connection plate with 2 screws. **(Figure 9)**

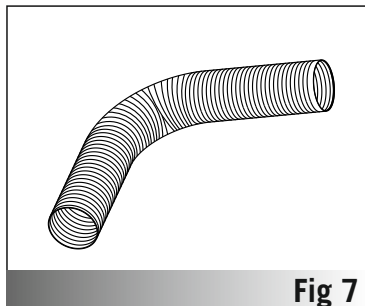


Fig 7

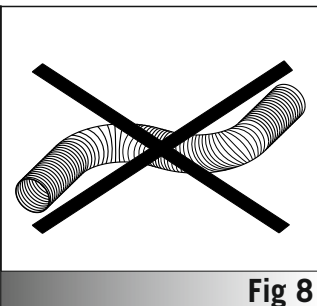


Fig 8

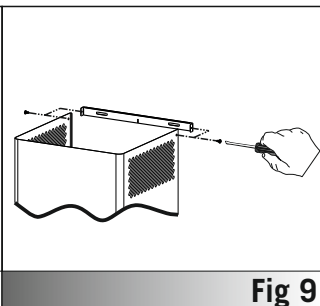
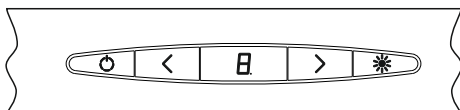


Fig 9

## 5. FUNCTIONS OF THE CHIMNEY HOOD

### 5.1. Control Panel

- Touch Control: Touch the symbols on the glass surface. If Press a symbol longer (more 3 sec) may operate various functions.
- Digital Control: touch the symbols on the keys. (On/Off function and timer are on the same key; if pressed for 1 sec on-off function will operate. If pressed for 3 sec. 15 minutes timer will operate.



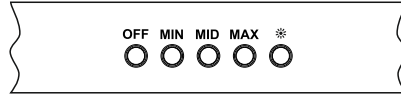
<b>SYMBOLS</b>	<b>FUNCTIONS</b>
	• Switches on and off the motor. (Except for the lighting)
	• Decreases the speed when the motor is running.
	• Display
	• Increases the speed when the motor is running.
	• If pressed this symbol, the motor turns itself off 15 minutes later.
	• Only switches on and off the lighting system.




**Note:** When the product operates for a certain time, the aluminum filters get dirty and the digital display shows "C" Clean sign. This means the filters should be cleaned. Press the speed reduction key for 5 secs in order to delete "C" sign from the display.

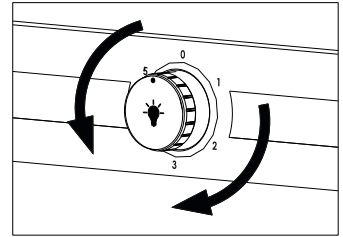
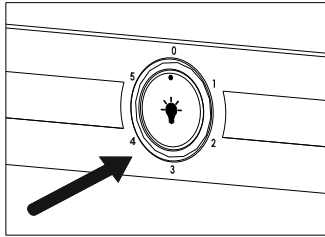
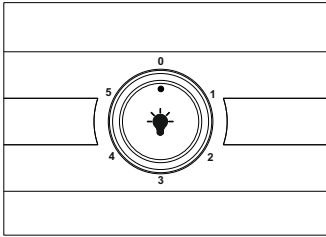


- Push Buton: Pressing the buttons will enable different functions. In order to disable them, press only the button **OFF**



## **SYMBOL**      **FUNCTIONS**

- |  |  |
|--|--|
| <b>OFF</b>   | • Stops the motor, except for the lighting system. |
| <b>MIN</b>   | • Low speed  |
| <b>MID</b>   | • Medium speed                                     |
| <b>MAX</b>   | • Intense speed                                    |
|  | • It turns on and off the lighting system only.    |
- Push Pull: If the button is in its hole. It means that lighting system is turned off. When you push on the button, the button comes out and it means that lighting system is turned on. While the button is position of "0", motor doesn't work. If you turn to button clockwise, motor speed increases. If you turn to button unclockwise, motor speed decreases.



## **5.2. Operating the Chimney Hood**

Chimney hood is used in ducted and non-ducted kitchens.

### **5.3. In ducted use;**

In ducted use, extractor fan should be connected to an air outlet to send the air out. In order to use your chimney hood efficiently, make sure length of the pipe system between the chimney hood and the air outlet should be short. Your product has been manufactured suitable for ducted and non-ducted use.

### **5.4. Round Charcoal Filter**

In kitchens with no duct, a round charcoal filter should be reintroduced the clean air into the kitchen. You can obtain the round filter from your service or dealer.

## 5.5. Use of Charcoal Filter

- Our products allow the installation of charcoal filter
- Regardless of use of charcoal filters or not, grease filters should be installed on the product. Do not use your product without grease filter.
- Use of charcoal filter is as follows.
- Cut off the device power before replacing charcoal filter.
- Charcoal filter is used in the kitchens with no duct therefore should be replaced in every 3-5 months depending on the frequency of use.
- Charcoal filter should never be washed.

## 5.6 Installation of Charcoal Filter

- Charcoal filters are used in the kitchens with no duct.
- Charcoal filters are installed onto both sides of the fan as shown in **Figure 10** by turning 10 degrees clock-wise.
- When uninstalling, reverse the same procedure.

## 5.7 Use of Aluminum Cartridge Filter

- Aluminum cartridge filter holds dust and grease in the air. Chimney hood should never be used without aluminum cartridge filter. **Figure 11**

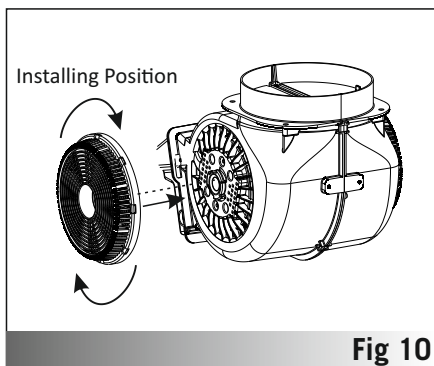


Fig 10

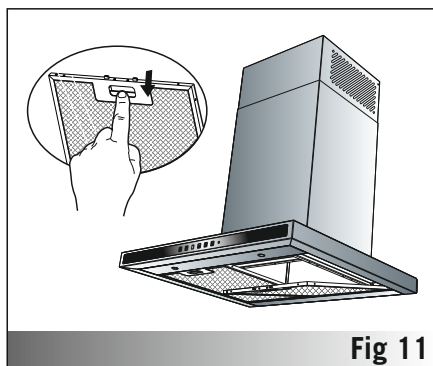


Fig 11

## 6. REPLACING THE BULB

**Always switch off the electrical supply before carrying out any operation.**

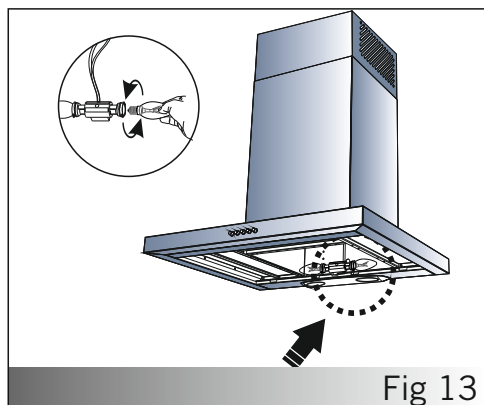
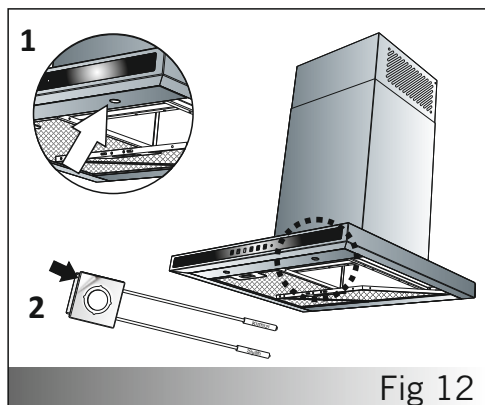
### 6.1. LED

- LED bulb does not operate is possible to remove as shown in **Figure 12**
- A new bulb to be supplied from service points is replaced with the same reoperation.
- Cables are designed with sockets. The plug in should be made according to previous connection.

## 6.2.Candle Type Halogen Bulb

- Bulb does not operate is possible to remove as shown in.
- A new bulb with the same features is replaced with removed bulb.

Note: Remove the holder on the LED bulb. Put the new LED bulb on the holder housing of the LED bulb you removed as shown in **Figure 13**.



## 7.MAINTENANCE OF THE CHIMNEY HOOD

- Device should be unplugged or switch should be turned off before cleaning and maintenance procedures.
- Metal filter should be cleaned once a month with hot soapy water or in the dishwasher, if possible. (60 °C)
- Remove the aluminum cartridge filter by pressing on the spring catches on the side. Do not refit before drying after wash.
- Outer surface of the extractor hood should be wiped with a damp cloth soaked with soapy water.
- Make sure electronic parts do not contact with water or similar materials.
- For inox products, using inox cleaning and maintenance products available in the market will provide longer usage life for your device.
- Aluminum filters can be washed in dishwasher. After several washes, aluminum filters may change colour. This is normal and filters do not need to be replaced.

## WARNING

When used with devices which use fuel (heaters working with gas, diesel fuel, coal or firewood, water heaters, etc) and the air in the environment; should be used cautiously. The chimney hood sending the air out in the environment may affect the burning adversely.

- **This warning is not applicable to non-ducted use.**

## Efficient use of Chimney Hood

- When installing the chimney hood to the air duct, use 150/120 mm diameter pipes and use bends as minimum as possible.
- Be ware of cleaning periods of metal filters and replacing times of charcoal filters.
- When dense suction power is not required, use the product in medium setting.
- For right ventilation, the windows in the kitchen leading to the outside should be kept closed.
- 

## 8.IF CHIMNEY HOOD DOES NOT WORK

Before contacting the service, make sure the product is plugged and the fuse in the electrical installation is working. Do not do anything that may harm the product.

### Service and spare parts:

Have one of our authorized services install your device free of charge.

You can supply spare parts of your device from your dealer or authorized services.

The package includes a list of authorized services with the product.

When you contact your service or dealer to ask for any spare parts, notify them of product model name shown in the product label. When you remove the aluminum cartridge filter, you will see the product label.

Before contacting your service, check your chimney hood against the table below. If problem persists, contact your dealer or authorized service point.

					Check electricity connection (mains voltage should be 220-240 V, Chimney hood should be connected to grounding socket.)
			X	X	Check motor switch (Motor switch should be on.)
			X		Check bulb switch (Bulb switch should be on.)
	X				Check aluminum filter (Aluminum cartridge filter should be washed once a month in normal use.)
			X		Check bulbs (Bulbs should be in working condition.)
	X				Check air outlet shaft (Air outlet shaft should be unblocked.)
	X				Check charcoal filter (Charcoal filters should be replaced quarterly in normal use.)
Chimney Hood does not work	X				
Light bulb is not working	X				
Chimney hood air suction is poor					
Do not send air out (in non-ducted cases)				X	

Cher Client,

Nous vous remercions d'avoir choisi les produits Simfer Notre but est de vous permettre d'utiliser ce produit, qui a été fabriqué en conformité avec la vision de qualité globale, dans nos usines modernes et dans un environnement de travail minutieux sans nuire à la nature, de la façon la plus performante.

Pour que la hotte Simfer que vous avez acheté puisse garder longtemps les propriétés de ses premiers jours et pour qu'elle vous rende service de la façon la plus rentable, nous vous conseillons de lire attentivement le manuel d'utilisation avant d'utiliser la hotte et de toujours le conserver.

**NOTE:**

Ce Manuel d'Utilisation a été conçu pour plusieurs modèles. Certaines propriétés mentionnées dans le manuel peuvent ne pas être présent sur votre machine. Ces propriétés sont spécifiées avec \*.

Nos produits sont destinés à un usage domestique. Ils ne sont pas destinés à un usage professionnel.

“LISEZ LES INSTRUCTIONS AVANT D'INSTALLER OU D'UTILISER CETTE APPAREIL.”

Ce produit a été fabriqué dans des usines modernes respectant l'environnement sans nuire à la nature.

“Conforme au Standart EEE”

## SOMMAIRE:

<b>1.INSTRUCTIONS DE SECURITE.....</b>	<b>15</b>
<b>2.PRESENTATION DE LA HOTTE ET DESSIN TECHNIQUE.....</b>	<b>17</b>
<b>3.INSTALLATION DE LA HOTTE.....</b>	<b>17</b>
3.1.Emplacement de la Hotte.....	
3.2.Montage de l'appareil de suspension sur la hotte..	
3,3.Montage de l'appareil de suspension sur le mur...	
3.4.Montage de l'appareil de suspension de la cheminée intérieure.....	
<b>4.MONTAGE DE LA HOTTE SUR LE MUR.....</b>	<b>18</b>
4.1.Installation de la hotte en parallèle avec le sol.....	
4.2.Installation du tuyau en aluminium.....	
<b>5.LES FONCTIONS DE LA HOTTE.....</b>	<b>20</b>
5.1.Le panneau de contrôle et ses fonctions.....	
5.2.Utilisation de la Hotte.....	
5.3.Utilisation avec cheminée.....	
5.4.Filtre carbone rond.....	
5.5.Utilisation du filtre carbone.....	
5.6.Montage du filtre carbone.....	
5.7.Utilisation du filtre à cassette en aluminium.....	
<b>6.CHANGEMENT DE L'AMPOULE.....</b>	<b>22</b>
6.1.Ampoule de type LED.....	
6.2.Ampoule halogène de type bougie.....	
<b>7.ENTRETIEN ET NETTOYAGE DE LA HOTTE.....</b>	<b>23</b>
<b>8.SI LA HOTTE NE FONCTIONNE PAS.....</b>	<b>24</b>

## 1. INSTRUCTIONS DE SECURITE

- Ce produit a été conçu pour une utilisation domestique.
- La puissance d'utilisation de votre produit est de 220-240 Volt 50Hz.
- Le câble d'alimentation de votre produit est relié à la terre. Ce câble doit absolument être relié à une prise de terre.
- Toute l'installation électrique doit être effectuée par un électricien.
- L'installation effectuée par des personnes non habilités, peut causer un fonctionnement à basse performance, un endommagement du produit et même des accidents.
- Le câble d'alimentation ne doit pas être sujet à un écrasement ou serrage lors de l'installation. Le cordon électrique ne doit pas passer près de la gazinière ou sources similaires qui pourrait causer un incendie si le câble brûle.
- Ne pas brancher la cable avec d'avoir installé le produit.
- La prise de courant doit se trouver à un endroit accessible pour permettre d'accéder facilement à la prise pour couper le courant en cas de danger quelconque.
- Ne pas toucher aux lampes de votre produit, lorsque celles-ci ont fonctionnées pendant une longue période. Les lampes peuvent vous brûler car elles auront chauffées.
- Les aspirateurs de cuisine sont produits pour une utilisation domestique lors de préparation culinaire normale. Si elle est utilisée pour une autre raison cela a un risque de panne et sera en dehors de la garantie.
- Conformez-vous aux instructions sur les règles en vigueur concernant l'évacuation de l'air de sortie (cette avertissement ne concerne pas les utilisations sans cheminées).
- Les plats qui peuvent flamber ne doivent pas être préparés sous la machine.
- Faire fonctionner votre machine après avoir mis les casseroles, poêles etc sur la gazinière. Dans le cas contraire, la température élevée peut être la cause de déformation de certaines pièces de votre produit.
- Fermez le gaz avant de retirer casserole, poêle etc de la gazinière.
- Ne pas laisser d'huile chaude sur la gazinière. Les récipients contenant de l'huile chaude peuvent brûler d'eux mêmes.
- Lors de préparations de fritures et plats similaires, les huiles peuvent brûler, donc faites attention à vos rideaux et couvertures.

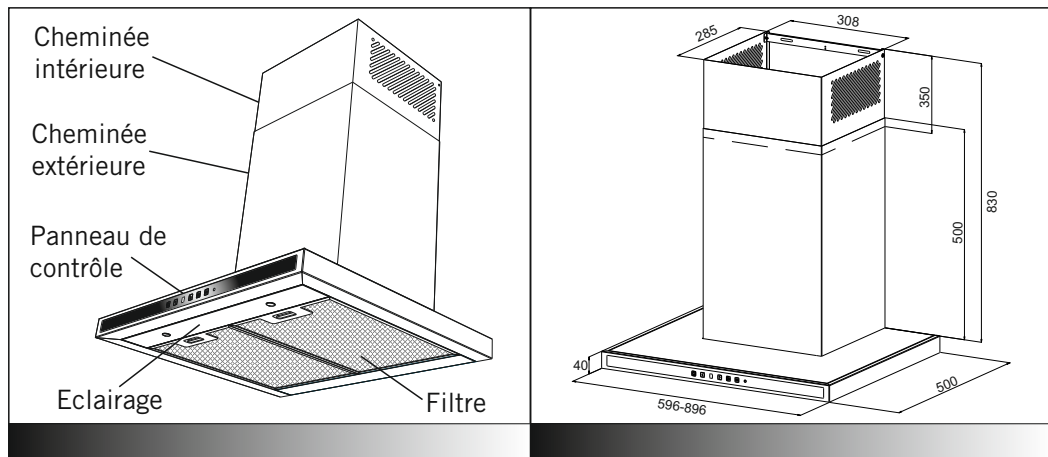


## 1. INSTRUCTIONS DE SECURITE

- Changez les filtres dans les délais spécifiés. Les filtres non-changés à temps, porte un risque de brûlure à cause des huiles accumulés sur les filtres.
- Ne pas utiliser de matériaux de filtrage non résistant à la chaleur à la place des filtres.
- Garder hors de portée des enfants les matériaux d'emballage qui peuvent être un danger pour les enfants.
- Ne pas faire fonctionner votre produit sans le filtre, ne pas enlever les filtres lorsque le produit est en marche.
- En cas de début de flamme, couper le courant de l'aspirateur et des appareils de cuisson. (Couper le courant en débranchant la prise du courant.) Couvrir le feu avec un chiffon humide ou une serviette humide. Ne jamais utiliser d'eau pour éteindre le feu.
- Si le nettoyage n'est pas effectué régulièrement, votre produit peut causer un risque de feu.
- Couper le courant de votre appareil avant les opérations de maintenance. (Couper le courant en débranchant la prise du courant.)
- Utiliser des tuyaux de diamètre 150mm ou 120mm .lorsque vous aurez effectué le branchement de cheminée de votre produit. La connection avec les tuyaux doit être la plus courte et la moins courbée possible.
- Assurez-vous que votre enfant ne joue pas avec le produit. N'autorisez pas les enfants en bas âge à utiliser votre produit.
- Si le câble d'alimentation est endommagé, pour éviter une situation dangereuse, le câble endommagé doit être changé par le fabricant ou le service de son distributeur ou bien par un professionnel du même niveau.

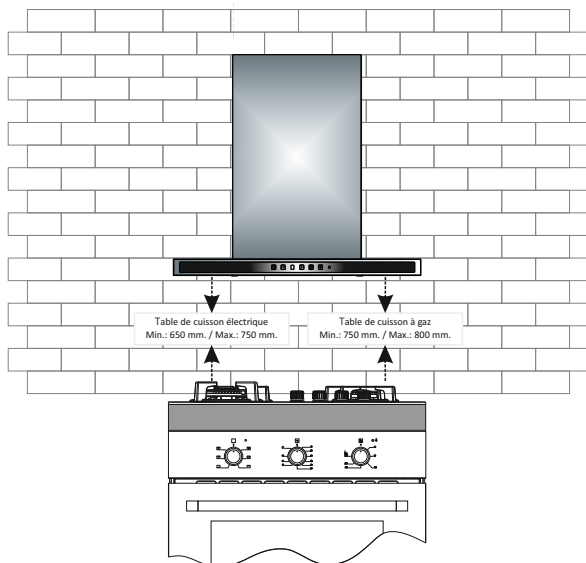
**Pour votre sécurité, utilisez des fusibles de "MAX 6 A" dans les installations de l'aspirateur.**

## 2. PRESENTATION DE LA HOTTE ET DESSIN TECHNIQUE



## 3. INSTALLATION DE LA HOTTE

### 3.1. Emplacement de la Hotte

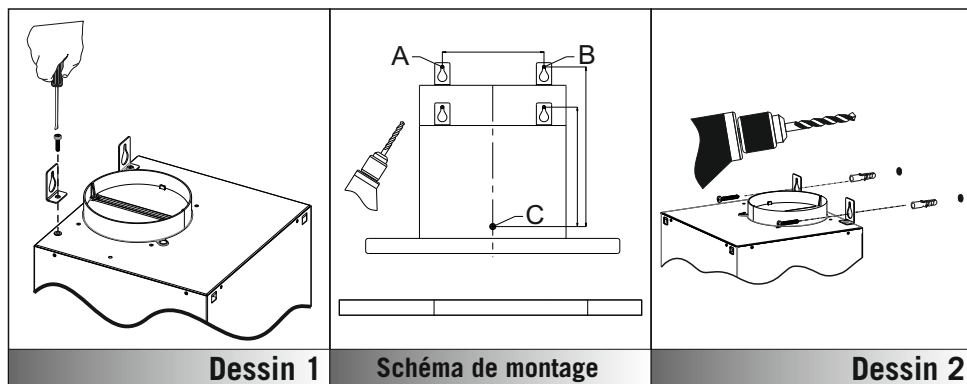


### 3.2. Montage de l'appareil de suspension sur la hotte

Fixez avec un écrou de serrage comme indiqué sur le Dessin 1' les 2 (deux) parties de suspension qui sont dans les accessoires de montage sur la hotte. Assurez-vous que les parties de suspension sont bien installées dans leurs emplacements.

### 3.3. Montage de l'appareil de suspension sur le mur

Fixer sur le mur des chevilles de 8mm sur les trous (A,B,C,D) d'après le schéma de montage. Fixez la partie de suspension sur le mur avec 2 vis à aggloméré comme sur le **Dessin 2**.



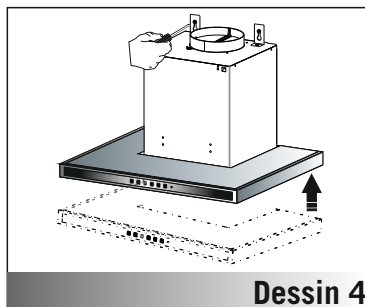
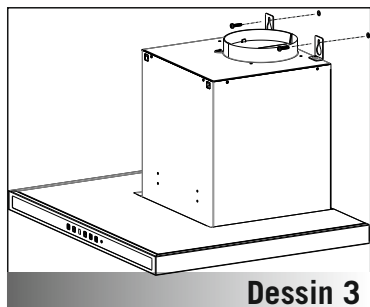
### 3.4. Montage de la partie de suspension de la cheminée intérieure

Pour fixer les parties de suspension de la cheminée intérieure, faire 2 trous de fixation de  $\varnothing 6\text{mm}$  sur le mur avec une perceuse aux endroits et hauteur concernés. Des chevilles de 6mm sont installées dans ces trous et la partie de suspension de la cheminée intérieure est fixée.

A la fin de l'installation de la hotte, la cheminée intérieure est vissée sur la partie de suspension de la cheminée intérieure.

### 4. MONTAGE DE LA HOTTE SUR LE MUR

Fixez les parties de suspension en soulevant la hotte par sa partie centrale sur les chevilles sur le mur comme sur le Dessin 3.



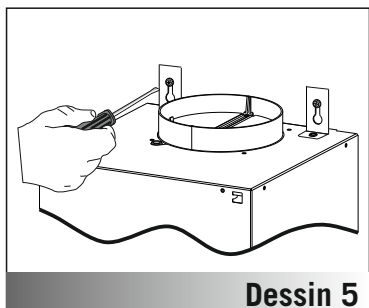
#### 4.1. Installation de la hotte en parallèle avec le sol

Si en apparence la hotte est penchée, restorez le parallélisme de la hotte avec les vis de réglages indiqués sur le **Dessin 4**.

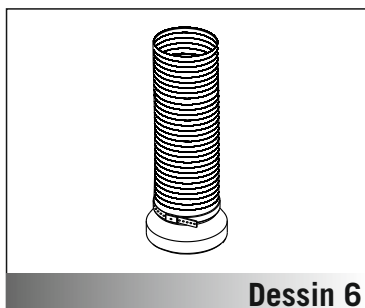
Après avoir terminé l'opération de réglage, serrez fortement les vis indiquées sur le **Dessin 5**. Après avoir totalement installé la hotte, fixez la partie centrale avec deux vis insérées dans les trous (C, D) se trouvant à l'intérieur de la partie centrale pour qu'elle ne bouge pas.

#### 4.2. Installation du tuyau en aluminium

Installez le tuyau en aluminium flexible sur la cheminée en plastique. Fixez l'autre extrémité du tuyau sur le trou d'aération de la cuisine. (**Voir Dessin 6**)



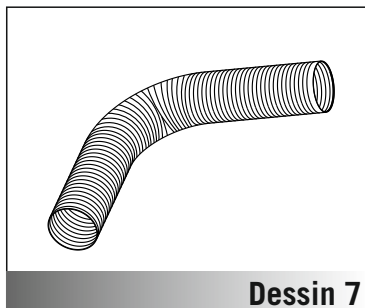
Dessin 5



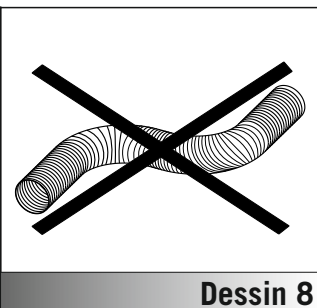
Dessin 6

Eviter les courbes et plis sur le tuyau en aluminium car celles-ci peuvent réduire la puissance d'aspiration de l'air.

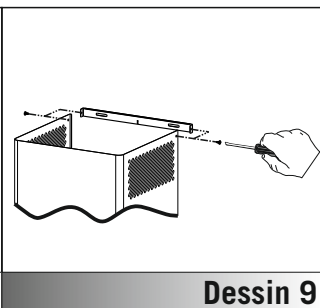
Installez minutieusement les cheminées extérieure et intérieure sur le produit. Fixez la cheminée intérieure avec 2 vis sur la partie de connection de la cheminée intérieure. (**Voir Dessin 9**)



Dessin 7



Dessin 8

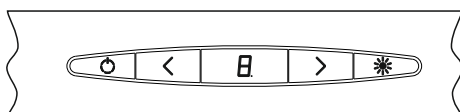
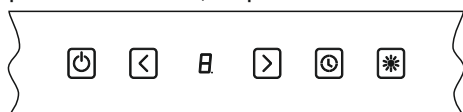


Dessin 9

## 5. LES FONCTIONS DE LA HOTTE

### 5.1. Le panneau de contrôle et ses fonctions

- **La Touche Contrôle:** Il suffit de toucher les symboles qui se trouve sur le verre. (Maintenir longtemps les symboles peuvent faire fonctionner des fonctions différentes)
- **LeContrôle-Digital:** Il suffit de toucher les symboles qui se trouvent sur le verre. (L'ouverture et fermeture ainsi que le minuteur étant sur le même bouton, lorsque celui-ci est maintenu pendant 1sec l'opération d'ouverture et fermeture sera activée. Lorsque que le bouton est maintenu pendant 3 sec, la période de 15 min de minuteur sera activée.



#### SYMBOLE    LES FONCTIONS

- |  |  |
|--|--|
|  | Allume et éteint le moteur. (Hormis le système d'éclairage)                |
|  | Lorsque le moteur est en marche, le tour par minute est réduit.            |
|  | Définit la situation.  |
|  | Lorsque le moteur est en marche, le tour par minute est augmenté.          |
|  | Lorsque ce symbole est activé le moteur s'éteint de lui-même 15 min après. |
|  | Allume et éteint seulement le système d'éclairage.                         |

**Note:** Lorsque le produit fonctionne un certain moment les filtres en aluminium se salissent et le symbole "C" Clean apparait sur l'écran digital. Cela signifie que les filtres doivent être nettoyé. Pour retirer la lettre "C" de l'écran maintenir la touche moins pendant 5 sec.

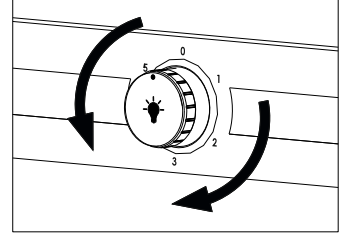
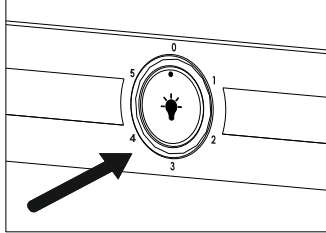
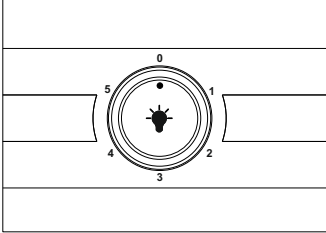
- **Bouton Push:** Lorsqu'on appuie sur les boutons des fonctions différentes deviennent actives. Pour les fermer il suffit d'appuyer sur le bouton.



#### SYMBOLE    LES FONCTIONS

- |            |  |
|------------|--|
| <b>OFF</b> | • Eteint le moteur. (Hormis le système d'éclairage)  |
| <b>MIN</b> | • Le moteur fonctionne à basse puissance.            |
| <b>MID</b> | • Le moteur fonctionne à puissance moyenne.          |
| <b>MAX</b> | • Le moteur fonctionne à haute puissance.            |
|            | • Allume et éteint seulement le système d'éclairage. |

- **Bouton Push:** Lorsque le bouton est enfoncé l'éclairage est en mode éteint. Lorsque le bouton est ouvert par pression, le système d'éclairage se met en marche. Lorsque le bouton est sur la position "0" le moteur ne fonctionne pas. Lorsque le bouton est tourné vers la droite, la puissance du moteur augmente et baisse lorsque que le bouton est tourné vers la gauche.



## 5.2. Utilisation de la Hotte

La hotte peut être utilisée dans des cuisines avec ou sans cheminée.

## 5.3. Utilisation avec cheminée;

Dans l'utilisation avec connection à la cheminée, l'aspirateur doit être connecté à une bouche d'aération qui fait sortir l'air. Pour pouvoir avoir un bon résultat de votre hotte, veillez à ce que le système de tuyau qui est raccordé à l'aération soit la plus courte possible. Le produit a été fabriqué pour être utilisé avec ou sans cheminée.

## 5.4. Filtre carbone rond

Dans les environnements où il n'y a pas de cheminée, un filtre rond de carbone doit être utilisé pour que l'air se trouvant à l'intérieur soit filtré et rejeté à l'intérieur. Vous pouvez obtenir le filtre rond de carbone du service après vente ou du revendeur.

## 5.5. Utilisation du filtre carbone

- Le produit que vous utilisiez possède la propriété d'utilisation du filtre carbone.
- Que vous utilisiez ou non le filtre carbone, les filtres à huile doivent toujours être installés sur le produit. N'utilisez pas votre produit sans le filtre à huile.
- L'utilisation du filtre carbone est indiquée ci-dessous.
- Couper le courant de l'appareil avant de changer le filtre carbone.
- Le filtre carbone ne doit jamais être lavé.

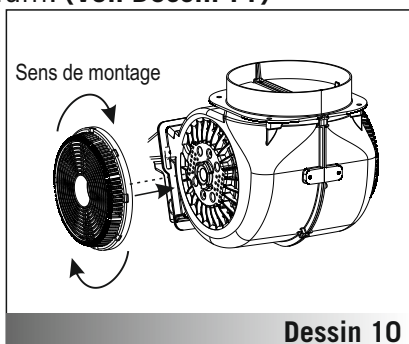
- Comme le filtre carbone est utilisé dans des cuisines n'ayant pas de cheminée, il doit être changé tous les 3-5 mois en fonction de son utilisation.

### 5.6. Montage du filtre carbone

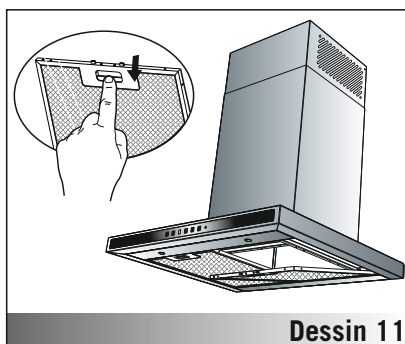
- Les filtres carbone sont utilisés dans des cuisines n'ayant pas de sortie d'aération.
- Les filtres carbone sont installés des deux cotés du ventilateur comme indiqué sur le **Dessin 10** en tournant de 10 degrés dans le sens des aiguilles d'une montre.
- Pour le retirer répétez les étapes dans le sens inverse.

### 5.7. Utilisation du filtre à cassette en aluminium

Le filtre à cassette en aluminium tient les particules de poussière et huile qui sont dans l'air. La hotte ne doit jamais être utilisée sans le filtre à cassette en aluminium. (**Voir Dessin 11**)



Dessin 10



Dessin 11

## 6. CHANGEMENT DE L'AMPOULE

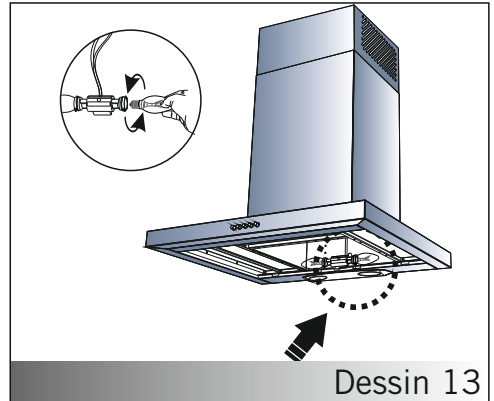
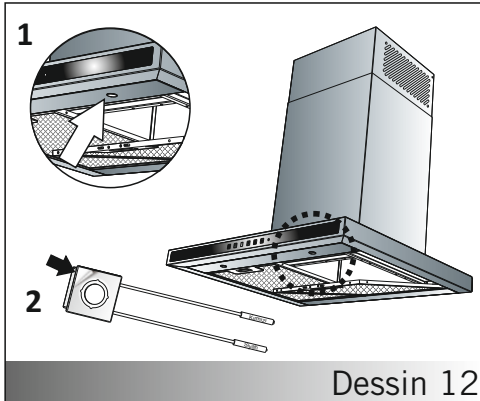
### Ampoule de type LED

Coupez d'abord le courant de votre hotte.

- L'ampoule LED qui ne fonctionne pas est retirée comme indiqué sur le dessin. (**Voir Dessin 12**)
- L'ampoule LED dévissée est retirée de l'intérieur de la hotte minutieusement.
- Une ampoule LED ayant les mêmes propriétés que vous avez récupéré aux points de vente du service est insérée à la place de l'ancienne.
- Les câbles ont été conçus avec des douilles. Les connexions sont effectuées en fonction de celles-ci.
- Contrôlez que la lampe fonctionne avec le bouton d'allumage de la lampe.

## 6.2. Lampe halogène type bougie

- La lampe qui ne fonctionne pas est retirée de son emplacement comme indiqué sur le **Dessin 13**.
- La lampe dévissée est retirée de l'intérieur de la hotte minutieusement.
- Une lampe ayant les mêmes propriétés est installée à l'emplacement.
- Contrôlez que la lampe fonctionne avec le bouton d'allumage de la lampe.



## 7. ENTRETIEN ET NETTOYAGE DE LA HOTTE

- Avant les opérations de maintenance et nettoyage, le câble doit être débranché ou le courant doit être coupé.
- Le filtre en métal doit être lavé une fois par mois avec de l'eau chaude et du savon ou si possible dans le lave-vaisselle. (60 °C)
- Retirez le filtre à cassette en aluminium de leur emplacement en appuyant sur les pinces à ressort se trouvant sur les extrémités. Remettre à son emplacement après avoir nettoyé sans sécher.
- Les parties extérieures de l'aspirateur doivent être nettoyées avec de l'eau savonneuse ou un torchon humide mouillé avec de l'alcool.
- Faire attention à ne pas mettre les parties électroniques au contact de l'eau ou de produits similaires.
- Pour les produits en inox, l'utilisation de produits d'entretien ou de nettoyage de l'inox permettront à votre produit d'être de longue durée.
- Les filtres en aluminium peuvent être mis dans le lave-vaisselle. La couleur des filtres en aluminium peut changer après quelques lavages. Cette situation est normale et il n'est pas nécessaire de changer les filtres.



## **AVERTISSEMENT!!!**

Faire attention à l'utilisation de l'appareil lorsqu'il est utilisé en même temps que les appareils qui utilisent l'air de l'environnement et un combustible (radiateurs utilisant le gaz, diesel, combustibles, charbon ou bois). Parce que l'aspirateur peut affecter négativement la combustion puisqu'il rejète l'air à l'extérieur.

Cet avertissement n'est pas valable pour les utilisations sans cheminée.

### **Pour utiliser la hotte de façon performante;**

- Utilisez des tuyaux de diamètre 150/120mm pour le raccordement de cheminée de la hotte et utilisez le moins d'angles possible.
- Faire attention aux périodes de nettoyage des filtres en métal et à la durée de changement des filtres carbone.
- Utilisez le produit au niveau moyen s'il une puissance d'aspiration intense n'est pas nécessaire.
- Pour permettre une ventilation correcte, les fenêtres ouvrant vers l'extérieur doivent être fermées.

### **8.SI LA HOTTE NE FONCTIONNE PAS ;**

Avant de prendre contact avec le service, assurez vous que la prise est branchée et que le fusible d'électricité de l'installation fonctionne, ne faites aucune intervention qui pourrait endommager le produit.

#### **Service et pièce de rechange:**

Faites installer votre produit gratuitement par nos services après vente agréés.

Vous pouvez vous procurer les pièces de rechange de votre produit chez votre vendeur ou chez le service agréé.

Une liste des services agréés se trouve dans l'emballage avec le produit.

Lorsque vous serez en contact avec votre service ou votre vendeur, indiquez le nom du modèle du produit inscrit sur l'étiquette du produit pour demander une pièce de rechange. Vous pourrez voir l'étiquette du produit lorsque vous retirerez le filtre à cassette en aluminium de son emplacement.

avant d'entrer en contact avec le service, contrôlez votre hotte en fonction du tableau ci-dessous.

Si le problème persiste, entrez en contact avec votre vendeur ou le service agréé.

La hotte ne fonctionne pas	X		X					
La lampe d'éclairage ne s'allume pas	X			X				
La puissance d'aspiration de la hotte est faible					X			
Ne rejete pas l'air vers l'extérieur(dans les environnement sans cheminée)				X				X
						X		
							X	
								X

**Estimado cliente,**

Antes de todo, agradecemos para comprar productos de Simfer. Nuestro objetivo es obtener su uso con desempeño máximo de este producto que ha sido producido según el principio de calidad total en nuestras plantas modernas, sin dañar el ambiente.

Para que la campana extractora de Simfer que vd. ha comprado sirva con sus rasgos de primer día y en el desempeño máximo por favor lea este manual antes de usarlo y lo guarde para siempre.

**NOTA:**

Este manual es preparado para modelos diferentes. Algunos rasgos que son especificados en este manual no podría ser en su aparato. Estos rasgos son marcados con la marca \*.

Nuestros aparatos tienen el objetivo de usar en la casa. No son producidos a usar con objetivos comerciales.

**“POR FAVOR LEA LAS INSTRUCCIONES ANTES DE MONTAR O USAR ESTE APARATO.”**

Este producto es manufacturado en plantas modernas sin dañar el ambiente natural.

**“Conveniente al Reglamento de EEE”**

**ÍNDICE:**

<b>1. INSTRUCCIONES DE SEGURIDAD.....</b>	<b>28</b>
<b>2. INTRODUCCION DE CAMPANA EXTRACTORA y DISEÑO TÉCNICO..</b>	<b>29</b>
<b>3. MONTAJE DE CAMPANA EXTRACTORA.....</b>	<b>30</b>
3.1. La posición de la campana extractora.....	
3.2. Montaje de placa de gancho a la campana.....	
3.3. Montaje de placa de gancho al pared.....	
3.4. Montaje de placa de gancho de la chimenea interior	
<b>4. MONTAJE DE CAMPANA AL PARED.....</b>	<b>31</b>
4.1. Como obtener el paralelismo de la campana con la base	
4.2. Montaje de manguera de aluminio.....	
<b>5. FUNCIONES DE CAMPANA EXTRACTORA.....</b>	<b>32</b>
5.1. El panel de control y sus funciones.....	
5.2. El uso de la campana extractora.....	
5.3. En el uso con chimenea.....	
5.4. Filtro redondo de carbón.....	
5.5. Uso de filtro de carbón.....	
5.6. Montaje de filtro de carbón.....	
5.7. Uso de filtro cartucho de aluminio.....	
<b>6. CAMBIO DE lámpara.....</b>	<b>35</b>
6.1 Lámpara de tipo Led.....	
6.2. Lámpara halógeno de tipo velo.....	
<b>7. MANTENIMIENTO y LIMPIEZA DE LA CAMPANA.....</b>	<b>36</b>
<b>8. SI LA CAMPANA NO FUNCIONA.....</b>	<b>37</b>

## 1. INSTRUCCIONES DE SEGURIDAD

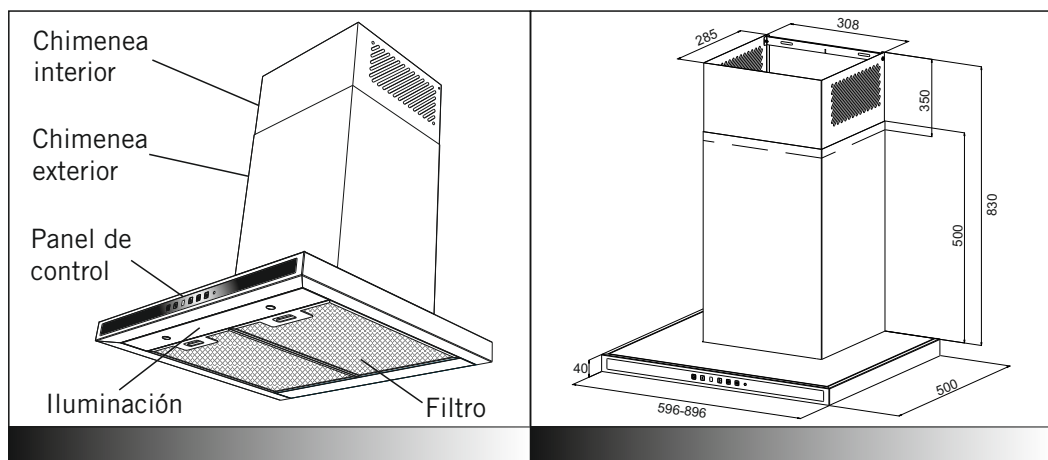
- Este producto es diseñado para usar en la casa.
- El voltaje de uso de su producto es 220-240 V y 50Hz.
- El cable de su producto es cable de toma de tierra. Tiene que ponerle en una línea de tierra.
- Todo la instalación de electricidad tiene que ser hecho por un eléctrico cualificado.
- Una instalación que habría ser hecho por unos personas desautorizados pueda causar el trabajo inefectivo del aparato o algunos daños o accidentes al producto.
- Sea cuidado para que la cable de alimentación de electricidad no esta apretado o reprimido. No ponga la cable de alimentación alrededor de cosas calientes como estufa porque pueda derretirse y causar fuego.
- No ponga el clavija en el enchufe antes del montaje del producto.
- Para puede cortar la electricidad del producto en caso de peligro obtiene que el clavija y enchufe son en una posición de fácil acceso.
- No toque las lámparas si su producto ha servido por tiempo larga porque las lámparas van a ser caliente y pueden quemar sus manos.
- Los aspiradores de cocina son producidos para uso de casa de cocinar normal. Hay riesgo de defecto si es usado por otros fines y en este caso el producto no es bajo garantía.
- Siga las instrucciones de los autoridades para vaciar el aire de salida. (Esta noticia no es valido para usos sin chimenea).
- No cocine comida que inflama bajo de este aparato.
- Opere su producto antes de poner las cacerolas y ollas etc. sobre la estufa porque el calor alto pueda dañar algunos partes de su producto
- Apaga la estufa antes de tomar las cacerolas y ollas etc. de la estufa.
- No deje aceite caliente sobre la estufa. Los potes que contiene aceite caliente puedan inflamar espontáneamente.
- Cuando cocina comidas freídos sea cuidado porque los aceites puedan inflamar y quemar sus cortinas y telas.
- Cambia los filtros en tiempos notificados. Los filtros tienen riesgo de fuego si no son cambiados en tiempo por las aceites que acumula sobre ellos.
- No usa elementos de filtro inflamable en lugar de filtros.
- Los elementos de embalaje son peligrosos para sus hijos. Guárdelas afuera de sus hijos.

## 1. INSTRUCCIONES DE SEGURIDAD

- No opere su producto sin filtro y no quite los filtros durante el trabajo de producto.
- En caso de inflamación corte la energía de la aspiradora y aparatos de cocinar. (Corte la energía del aparato tirando el clavija del enchufe.) Cierre el fuego con una tela húmedo o una toalla mojado. Nunca use agua para extinguir.
- Si la limpieza no es hecho en tiempos periódicos pueda ocurrir riesgo de fuego.
- Corte la energía del aparato antes de mantenimiento. (Corte la energía del aparato tirando el clavija del enchufe.)
- Cuando hace conexión de chimenea use mangueras de diámetro 150 mm.s o 120 mm.s. La conexión tiene que ser lo mas corto posible y con poco curvas.
- Sea seguro que sus hijos no juegan con el producto. No deje que los hijos pequeños usen el producto.
- Si el cable de alimentación es dañado para evitar una situación peligrosa el cable tiene que ser cambiado por la productora o servicio autorizado o una persona tal experto.

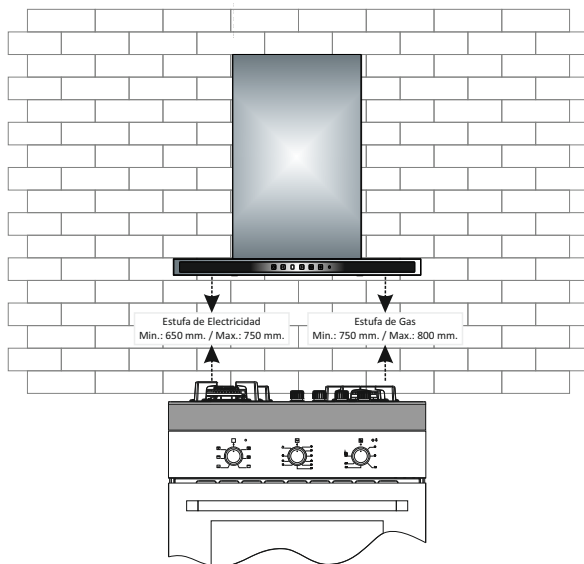
**Para su seguridad use plomo de “MAX 6 A” en la instalación de la aspiradora.**

## 2. INTRODUCCION DE CAMPANA EXTRACTORA y DISEÑO TÉCNICO



### 3. MONTAJE DE CAMPANA EXTRACTORA

#### 3.1. La posición de la campana extractora

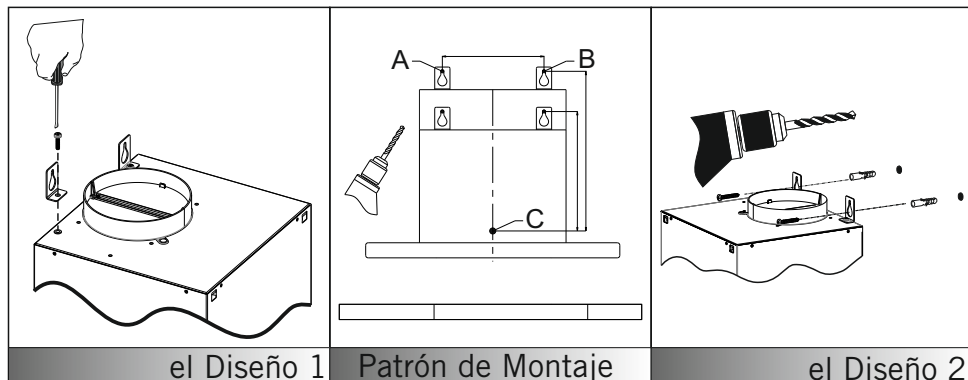


#### 3.2. Montaje de placa de gancho a la campana

Fije los 2 (dos) placas de gancho que viene con el accesorio de montaje a la campana como visto en **Diseño 1** con una tuerca. Sea seguro que las placas de gancho están fijados o sus casas.

#### 3.3. Montaje de placa de gancho al pared

Perfore 3 agujeros como visto en el patrón de montaje (**A,B,C**) y pone clavijas de 8 en estos agujeros. La placa de gancho se fija al pared como visto en **Diseño 2** con 2 tornillos de madera prensada.



el Diseño 1

Patrón de Montaje

el Diseño 2

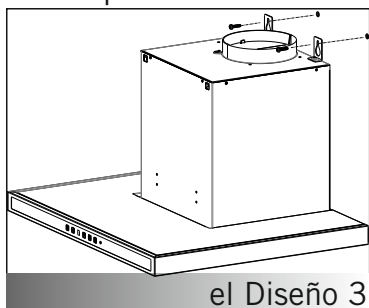
### 3.4. Montaje de la placa de gancho de la chimenea interior

Para fijar la placa de gancho de la chimenea interior se perfora 2 agujeros de fijación a la altura propio y a las puntos relacionados con taladradora de  $\varnothing 6\text{mm}$ . Se pone clavijas de 6 en estos agujeros y se fija la placa de gancho de la chimenea interior.

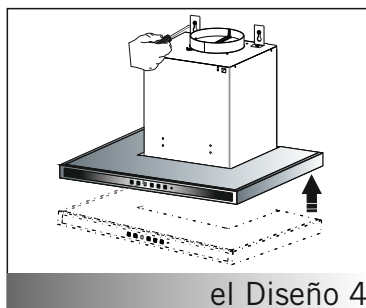
En fin de instalación de la campana, la chimenea interior será atornillado a la placa de gancho de la chimenea interior de las puntos relacionados.

### 4. MONTAJE DE CAMPANA AL PARED

Levante la campana extractora a su cuerpo y monte las placas de gancho a las clavijas en la pared como visto en **Diseño 3**.



el Diseño 3



el Diseño 4

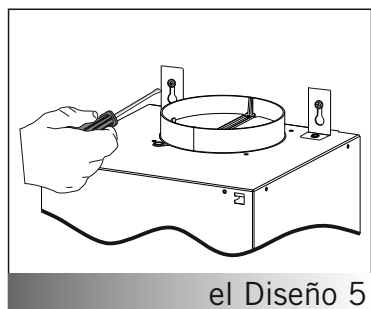
### 4.1. Como obtener el paralelismo de la campana con la base

Si hay desviación en la Vista de la campana obtiene el paralelismo de la campana usando los tornillos de balance como visto en **el Diseño 4**.

Antes de obtener el balance, apriete los tornillos visto en **el Diseño 5**. Cuando se fija totalmente, fije el cuerpo de la campana de las dos agujeros (C, D) entre el cuerpo con tornillos para que no mueva el aparato.

### 4.2. Montaje de manguera de aluminio

Monte la manguera flexible sobre la chimenea plástico. Monte el otro fin de la manguera al agujero de chimenea del cocina. (**Mira el Diseño 6**)



el Diseño 5

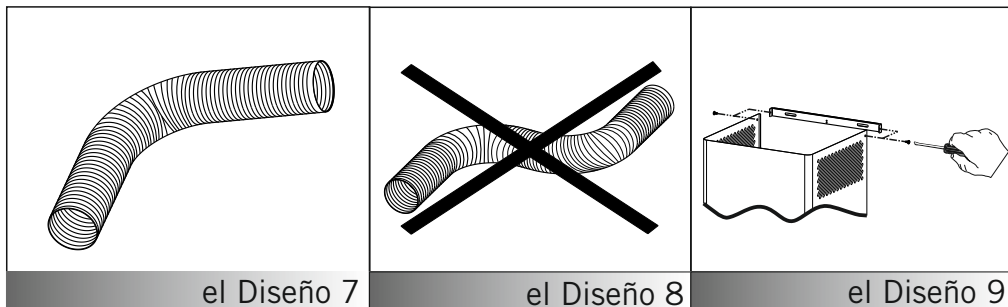


el Diseño 6



Codos y curvas resultan en disminución en la fuerza de succión de aire y por eso es necesario hacer lo menos posible codos y curvas.

Coloque las chimeneas exterior y interior sobre el producto con cuidado. Fije la chimenea interior al placa de conexión de chimenea interior con 2 tornillos. **(Mira el Diseño 9)**



el Diseño 7

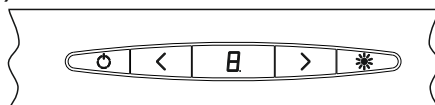
el Diseño 8

el Diseño 9

## 5. FUNCIONES DE CAMPANA EXTRACTORA

### 5.1. El panel de control y sus funciones

- Control de Toca: Es suficiente tocar los símbolos en el cristal. (Tocar de una duración a los símbolos pueda operar diferentes funciones)
- Control Digital: Es suficiente tocar los símbolos sobre los botones. (Las funciones de abre/cierre el motor y ajuste de duración son sobre e mismo botón y si le apretaría por 1 segundo se va a activar la función de abre/cierre motor. Si le apretaría por 3 segundos se va a activar la función de ajuste de duración de 15 minutos.)



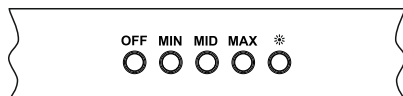
#### SÍMBOLO

#### FUNCIONES

- |  |   |
|--|---|
| <ul style="list-style-type: none"> <li></li> <li></li> <li></li> <li></li> <li></li> <li></li> </ul> | <ul style="list-style-type: none"> <li>• Se abre y se cierre el motor. (Sin el sistema de iluminación)</li> <li>• Disminuye la rotación cuando el motor funciona.</li> <li>• Determina la situación.</li> <li>• Aumenta la rotación cuando el motor funciona.</li> <li>• Cuando apriete a este símbolo el motor cierre automáticamente 15 minutos después.</li> <li>• Solamente abre y cierre el sistema de iluminación.</li> </ul> |
|--|---|

Nota: Cuando el producto trabaja por una cierto duración los filtros de aluminio hacerse sucio y el señal de "C" (Clean) aparece en el indicador. Esto significa que los filtros necesita limpieza. Para borrar la letra C del indicador pulse el botón de disminuir rotación por 5 segundos.

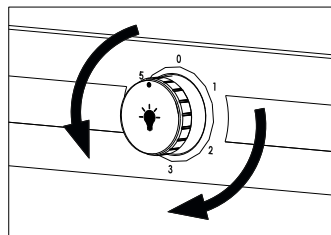
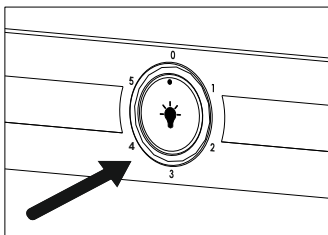
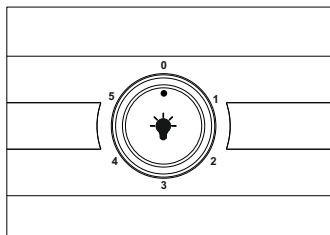
- Pulsar botón: Se activa diferentes funciones cuando se pulsa a los botones. Será suficiente pulsar de nuevo a este botón para cerrar estas funciones.



## SÍMBOLO      FUNCIONES

- |            |  |
|------------|--|
| <b>OFF</b> | • Cierre el motor. (Sin el sistema de iluminación)   |
| <b>MIN</b> | • El motor trabaja en rotación bajo.                 |
| <b>MID</b> | • El motor trabaja en rotación medio.                |
| <b>MAX</b> | • El motor trabaja en rotación alto.                 |
|            | • Solamente abre y cierra el sistema de iluminación. |

- Pulsa y tira: Cuando el botón es adentro el sistema de iluminación es cerrado. La iluminación se abre cuando pulse este botón. El motor no funciona cuando el botón es en posición "0". Gire el botón a la derecha para aumentar la rotación del motor y gire a la izquierda para disminuirla.



## 5.2.El uso de la campana extractora

El uso de la campana extractora.

## 5.3.En el uso con chimenea;

En el uso conectado a la chimenea la aspiradora tiene que ser montado a una chimenea que puede evacuar el aire. Para usar su campana extractora eficientemente sea cuidado que el sistema de manguera es montado en la ruta mas corto hacia la chimenea. Su producto es listo para trabajar sin o con chimenea.

#### 5.4. Filtro redondo de carbón

En ambientes sin chimenea, para filtrar el aire y circularlo adentro del ambiente se usa filtro redondo de carbón. Puede obtener el filtro redondo de carbón del servicio o el vendedor.

#### 5.5. Uso de filtro de carbón

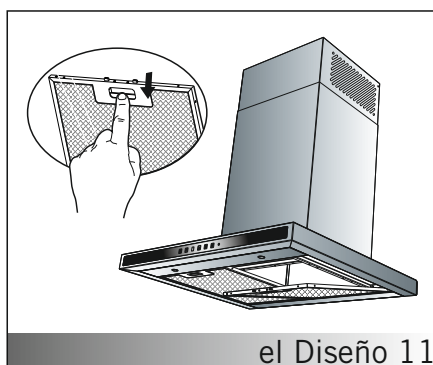
- Este producto tiene la facilidad de uso de filtro de carbón.
- Es necesario que los filtros de aceite se monten si se usa el filtro de carbón o no se lo use. No use su producto sin filtro de aceite.
- El uso de filtro de carbón es como descrito abajo.
- Corte la energía del aparato antes de cambiar el filtro de carbón.
- El filtro de carbón tiene que ser cambiado cada 3-5 meses dependiendo en el uso porque es usado en cocinas sin chimenea.
- Nunca lave el filtro de carbón.

#### 5.6. Montaje de filtro de carbón

- Los filtros de carbón se usan en cocina que no tiene salida de chimenea.
- Los filtros de carbón se montan como visto en Diseño 10 a los dos lados del ventilador en el sentido de las agujas del reloj casi 10 grados.
- Haga el opuesto de los mismos cuando desmonte.

#### 5.7. Uso de filtro cartucho de aluminio

El filtro cartucho de aluminio agarra los polvos y aceite en el aire. No use nunca la campana extractora sin filtro cartucho de aluminio. **(Mira el Diseño 11)**



## 6. CAMBIO DE lámpara

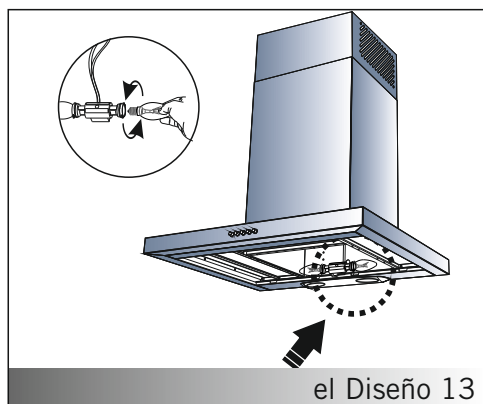
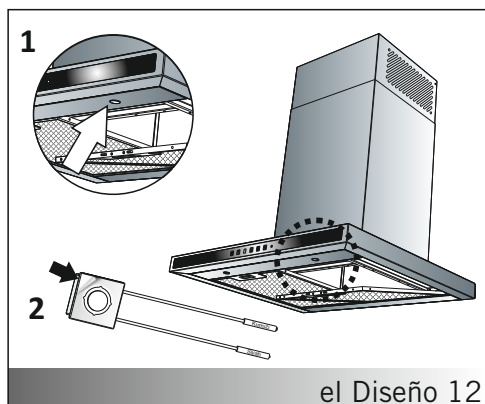
De primero corte la conexión de electricidad de su campana.

### 6.1. Lámpara de tipo Led

- La lámpara de tipo Led que no funciona se desmonte como visto en el diseño. (Mira el Diseño 12)
- La LED desmontada se quita del campana con cuidado.
- En lugar de la LED desmontada se pone otro lámpara de tipo LED con mismos cualidades provisto de los puntos de servicio.
- Los cables son diseñados con enchufe y las conexiones tiene que ser apropiado.
- Se controla con el botón de abre-cierre de la lámpara si la lámpara funciona.

### 6.2. Lámpara halógeno de tipo velo

- La lámpara que no funciona se desmonte como visto en Diseño 13.
- La lámpara desmontada se quita del campana con cuidado.
- En lugar de la lámpara desmontada, se pone otro lámpara.
- Se controla con el botón de abre-cierre de la lámpara si la lámpara funciona.



## 7. MANTENIMIENTO y LIMPIEZA DE LA CAMPANA

- Tiene que quitar el clavija y cortar la energía del interruptor.
- El filtro de metal tiene que ser lavado mensual y si posible en un lavaplatos. (60 °C)
- Desmante el filtro cartucho de aluminio pulsando los clips con muelle en el lado extremo. Después de limpieza no monte en su lugar antes de secarlo.
- Las superficies exteriores de la aspiradora tiene que ser limpiado con una tela humedecido con agua jabonoso o alcohol.
- Sea cuidado para no contactar las partes electrónicos con agua o tal sustancias.
- Para productos de materia Inox, usar limpiadores o productos de mantenimiento para inox prolonga la vida de su producto.
- Los filtros de aluminio puede ser lavado en el lavaplatos. El color de los filtros de aluminio pueda cambiar después de unos lavados. Esto es una situación normal y no es necesario cambiar los filtros.

### AVISO!

Ten cuidado cuando el aparato funciona con los aparatos que trabaja con combustibles y por eso utiliza el aire en el ambiente (gas, combustibles dieseles, calefactores que usa carbón o madera, calentadores de agua, etc.). Porque la aspiradora pueda afectar la combustión de manera negativo dado que extrae el aire del ambiente.

Este aviso no es valido para usos sin chimenea.

### Para usar la campana efectivamente;

- Cuando hace la conexión de chimenea de la campana usa mangueros de radio 150/120mm. y hace el menos codos posible.
- Ten cuidado a los periodos de limpieza de los filtros metales y al tiempo de cambio de los filtros de carbón.

Use el producto en nivel medio cuando la fuerza intenso de extraer no es necesario.

- Para que la extracción es hecho correcta es necesario que las ventanas a afuera son cerrados

## 8.SI LA CAMPANA NO FUNCIONA;

Este seguro que el clavija es conectado al enchufe y el interruptor es en condición bueno y no haga nada que podría dañar el producto.

### Servicio y piezas de repuesto:

El montaje del producto se hace gratis nuestros servicios autorizados.

Puede obtener las piezas de repuesto de su producto de los servicios autorizados o el vendedor.

El listo de los servicios autorizados están entre el embalaje con el producto.

Informe el nombre de modelo del producto que se puede mirar en la etiqueta del producto al vendedor o el servicio autorizado cuando contacta con ellos.

Puede mirar la etiqueta del producto cuando saca el filtro cartucho de aluminio.

Controle su campana extractora antes de contactar el servicio según la tabla.

Si el problema sigue contactar a la vendedor o servicio autorizado.

	Controle la conexión de electricidad (El voltaje de red de electricidad tiene que ser 220-240 V y además la campana tiene que ser conectado a una línea de tierra).	Controle la llave de motor (La llave de motor tiene que ser en posición "abierto").	Controle la llave de lámpara. (La llave de lámpara tiene que ser en posición "abierto".)	Controle el filtro de carbón. (El filtro cartucho de aluminio tiene que ser lavado mensual en condiciones normales.)	Controle las bombillas. (Las bombillas tiene que ser en condición buena.)	Controle la chimenea de salida de aire. (La chimenea de salida de aire tiene que ser abierto.)	Controle el filtro de carbón. (En los productos que funciona con filtro de carbón, este filtro tiene que ser cambiado cada 3 meses en condiciones normales.)
La campana no funciona	X	X					
Lámpara de iluminación no funciona	X		X		X		
La succión de aire de la campana es débil				X		X	X
No recicla aire (en ambientes sin chimenea)				X			X

Уважаемые Покупатели!

Мы благодарим Вас за Ваш выбор продукции Simfer. Наша цель состоит в обеспечении высокой производительности нашей продукции, произведенной на современных заводах в надлежащих рабочих условиях, без ущерба для природы и в соответствии со всеми требованиями качества.

Для того, чтобы приобретенная Вами вытяжка фирмы Simfer прослужила Вам в течение долгого времени с той же высокой эффективностью работы, что и в первый день ее установки, мы рекомендуем внимательно прочесть руководство по эксплуатации прежде, чем установить вытяжку, и сохранить его для дальнейшего использования.

#### **Примечание:**

Данное Руководство по эксплуатации применимо для различных моделей оборудования. Ваше оборудование может не иметь некоторых характеристик, указанных в Руководстве по эксплуатации. Такие характеристики примечены знаком "\*".

Данное оборудование предназначено для использования дома. Оборудование не подлежит использованию в коммерческих предприятиях.

**"ПЕРЕД УСТАНОВКОЙ И ИСПОЛЬЗОВАНИЕМ ДАННОГО ОБОРУДОВАНИЯ ПРОЧТИТЕ ВСЕ ИНСТРУКЦИИ".**

Данное оборудование произведено на современном заводе без нанесения ущерба окружающей среде.

**"Соответствует Нормативу EEE"**

**СОДЕРЖАНИЕ**

<b>1. ИНСТРУКЦИИ ПО ТЕХНИКЕ БЕЗОПАСНОСТИ.....</b>	<b>40</b>
<b>2. ОПИСАНИЕ И ТЕХНИЧЕСКИЙ РИСУНОК ВЫТЯЖКИ... 42</b>	<b>42</b>
<b>3. МОНТАЖ ВЫТЯЖКИ.....</b>	<b>42</b>
3.1. Расположение вытяжки.....	
3.2. Монтаж крепежных деталей вытяжки.....	
3.3. Монтаж крепежных деталей на стену.....	
3.4. Монтаж крепежных деталей внутренней трубы	
<b>4. МОНТАЖ ВЫТЯЖКИ НА СТЕНУ.....</b>	<b>43</b>
4.1. Установка вытяжки параллельно земле.....	
4.2. Установка алюминиевой трубы.....	
<b>5. ФУНКЦИИ ВЫТЯЖКИ.....</b>	<b>45</b>
5.1. Контрольная панель и функции вытяжки.....	
5.2. Использование вытяжки.....	
5.3. Использование с трубой вытяжки.....	
5.4. Круглый угольный фильтр.....	
5.5. Применение угольного фильтра.....	
5.6. Установка угольного фильтра.....	
5.7. Применение алюминиевого рамочного фильтра	
<b>6. ЗАМЕНА ЛАМПЫ.....</b>	<b>48</b>
6.1. Светодиодная лампа.....	
6.2. Галогенная лампа.....	
<b>7. ТЕХНИЧЕСКОЕ ОБСЛУЖИВАНИЕ И ОЧИСТКА.....</b>	<b>48</b>
<b>8. ЕСЛИ ВЫТЯЖКА НЕ РАБОТАЕТ.....</b>	<b>49</b>



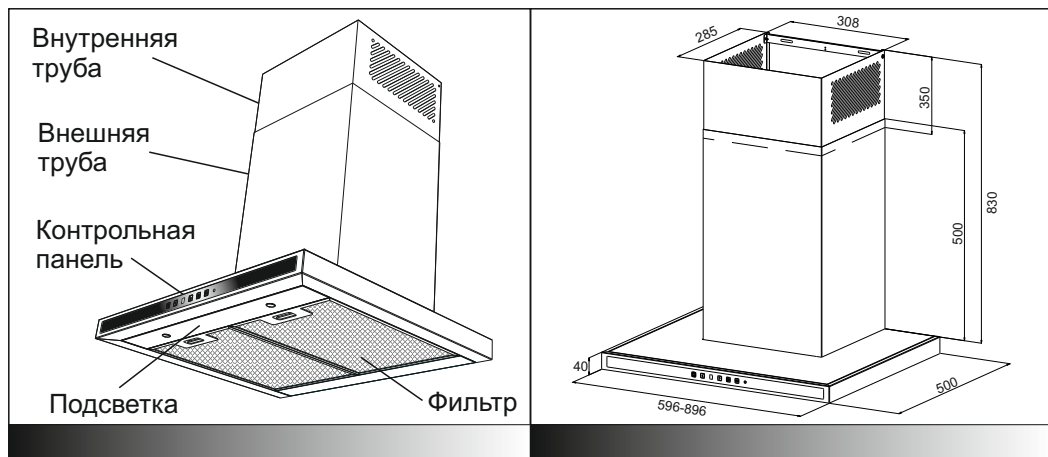
## 1. ИНСТРУКЦИИ ПО ТЕХНИКЕ БЕЗОПАСНОСТИ

- Данное оборудование предназначено для использования дома.
- Рабочее напряжение и частота вытяжки 220-240В, 50Гц.
- Сетевой кабель оборудования заземлен. Сетевой кабель должен подсоединяться только к заземленной розетке.
- Все электрические установки должны выполняться только квалифицированным электриком.
- Установка оборудования неквалифицированными лицами может привести к низкой производительности оборудования, его повреждению и возникновению несчастных случаев.
- При установке оборудования необходимо следить за тем, чтобы шнур питания не был зажат или придавлен. Сетевой шнур не должен быть расположен вблизи плиты и других подобных приборов во избежание его нагревания и возникновения пожара.
- Нельзя подсоединять шнур питания к розетке до тех пор, пока не будет выполнен монтаж оборудования.
- Необходимо обеспечить беспрепятственный доступ к розетке, чтобы незамедлительно отключить оборудование от сети электрического питания при возникновении какой-либо опасной ситуации.
- Если лампы оборудования горели в течение долго времени, не прикасайтесь к ним. Вы можете получить ожог при прикосновении к раскаленной лампе.
- Кухонные вытяжки предназначены для использования дома при приготовлении стандартных видов блюд. Использование оборудования в иных целях создает риск его поломки, что также отменяет действие гарантии.
- В отношении вывода выходной трубы действуют нормативы соответствующих местных органов. (Не применимо в отношении вытяжек без труб)
- Приготовление горящих блюд под вытяжкой не допускается.
- Оборудование необходимо включать, разместив сначала на плите кастрюлю, сковородку или иную посуду. В противном случае, высокая температура может привести к деформированию некоторых деталей оборудования.
- Прежде чем убрать с плиты кастрюлю, сковородку или иную посуду, выключите плиту.

- Не оставляйте на плите раскаленное масло. Раскаленное масло в посуде может воспламениться.
- При приготовлении блюд на раскаленном масле, будьте внимательны, так как масло может воспламениться, что может привести к возгоранию находящихся рядом штор или иных предметов.
- Следите за тем, чтобы фильтры сменялись в течение указанных сроков. Не вовремя замененные фильтры могут создать риск возникновения пожара из-за накопившегося в них жира.
- Не используйте вместо фильтров какие-либо иные воспламеняющиеся фильтрующие материалы.
- Уберите упаковочные материалы подальше от детей.
- Оборудование не должно работать без фильтров; при работе оборудования вынимать фильтры не допускается.
- В случае возникновения возгорания, отключите вытяжку и плиту от сети электропитания. (Отключите электропитание, выдернув шнур питания из розетки.) Накройте плямы влажной тряпкой или влажным полотенцем. Ни в коем случае не используйте воду, чтобы погасить огонь.
- Если периодически не чистить оборудование, это может привести к его возгоранию.
- Перед чисткой оборудования, отключите его от сети электропитания. (Отключите электропитание, выдернув шнур питания из розетки.)
- При подсоединении трубы к оборудованию используйте трубы диаметром 150мм или 120мм. Подсоединяемая труба должна быть как можно короче и должна иметь как можно меньше изгибов.
- Следите за тем, чтобы дети не играли с оборудованием. Не позволяйте маленьким детям пользоваться оборудованием.
- В случае повреждения шнура питания, во избежание опасной ситуации, шнур должен быть заменен на новый производителем оборудования, сервисным агенством или персоналом с надлежащей квалификацией.

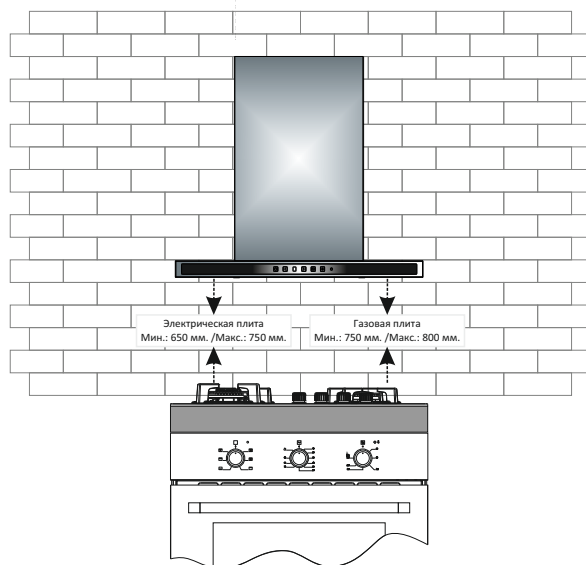
**В целях безопасности в отношении вытяжек используйте страховку "MAX 6A".**

## 2. ОПИСАНИЕ И ТЕХНИЧЕСКИЙ РИСУНОК ВЫТЯЖКИ



## 3. МОНТАЖ ВЫТЯЖКИ

### 3.1. Расположение вытяжки



### 3.2. Монтаж крепежных деталей вытяжки

Возьмите 2 (две) крепежные детали, которые входят в комплект монтажных аксессуаров, и, как показано на Рисунке 1, прикрутите их с помощью 1 зажимного болта. Убедитесь в том, что крепежные детали пружинены в соответствующие гнезда.

### 3.3. Монтаж крепежных деталей на стену

- В отверстия (А,В,С) , указанные в шаблоне монтажа, вбиваются дюбели диаметром 8 мм. Крепежные детали прикрепляются к стене с помощью 2 болтов, как это показано на **Рисунке 2**.

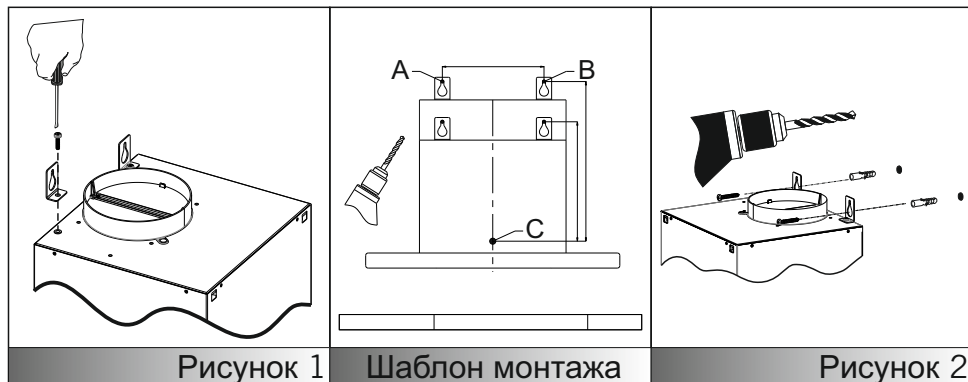


Рисунок 1

Шаблон монтажа

Рисунок 2

### 3.4. Монтаж крепежных деталей внутренней трубы

Для монтажа крепежных деталей внутренней трубы на стену, на соответствующей высоте и в соответствующих точках необходимо просверлить два отверстия с помощью сверла Ø6мм. В данные отверстия вбиваются дюбели диаметром 6мм, а затем на них устанавливаются крепежные детали.

После установки вытяжки, с помощью соответствующих крепежных деталей устанавливается внутренняя труба.

### 4. МОНТАЖ ВЫТЯЖКИ НА СТЕНУ

Поднимите корпус вытяжки и прикрутите крепежные детали к дюбелям на стене, как это показано на **Рисунке 3**.

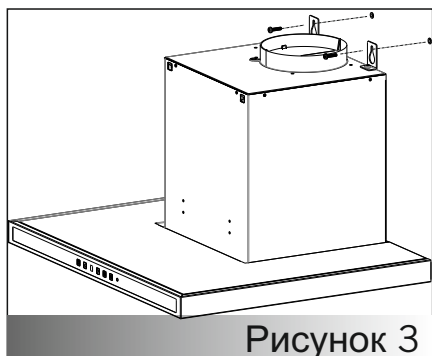


Рисунок 3

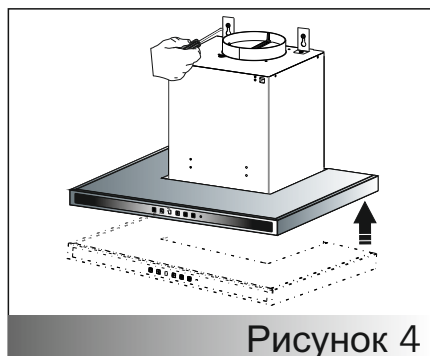


Рисунок 4

#### 4.1. Установка вытяжки параллельно земле

Если положение вытяжки не параллельно земле, то с помощью винтов, указанных на **Рисунке 4**, исправьте положение вытяжки так, чтобы она стояла параллельно земле.

Выровняв вытяжку, крепко закрутите винты, указанные на **Рисунке 5**. После того, как вытяжка будет установлена, зафиксируйте корпус вытяжки, прикрутив два болта в отверстия (С, D), так чтобы вытяжка не двигалась и была устойчива.

#### 4.2. Установка алюминиевой трубы

Проденьте гибкую алюминиевую трубу на пластиковую трубу. Прикрепите другой конец трубы в соответствующее отверстие для трубы в кухне. (См. **Рисунок 6**)

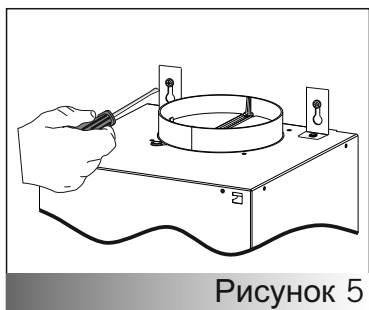


Рисунок 5



Рисунок 6

Так как сгибы в алюминиевой трубе могут уменьшить мощность всасывания воздуха, необходимо обеспечить как можно меньшее количество таких сгибов и углов.

Внимательно прикрепите внешнюю и внутреннюю трубу к вытяжке. Прикрепите внутреннюю трубу с помощью двух болтов к крепежным деталям. (См. **Рисунок 9**)

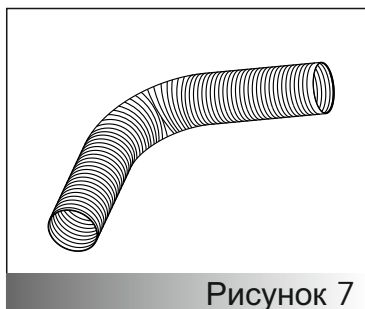


Рисунок 7

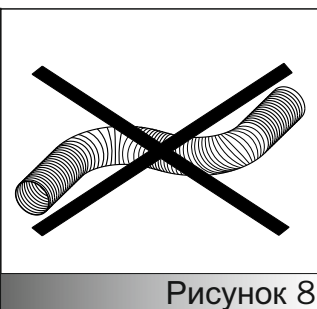


Рисунок 8

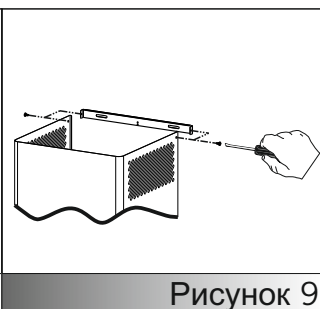
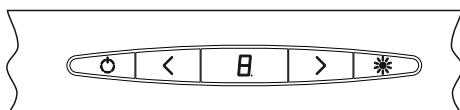


Рисунок 9







## 5. ФУНКЦИИ ВЫТЯЖКИ

### 5.1. Контрольная панель и функции вытяжки

- **Сенсорное управление:** Необходимо лишь прикоснуться к знакам на стеклянной поверхности. (При подолжительном нажатии на знаки могут включиться иные функции)
- **Цифровое управление:** Необходимо лишь нажать на знаки на соответствующих кнопках. (Одна и та же кнопка выполняет функцию включения/выключения двигателя вытяжки и настройки времени; при нажатии в течение 1 секунды осуществляется переход на функцию включения/выключения. При нажатии и удержании в течении 3 секунд, включится настройка времени на 15 минут.



#### ЗНАК      ФУНКЦИИ


-  Включение/выключение двигателя. (За исключением системы подсветки)
-  Уменьшение оборотов при работе двигателя.
-  Определение состояния.
-  Увеличение оборотов при работе двигателя.
-  При нажатии на данный знак двигатель автоматически выключается через 15 минут.
-  Включение и выключение только системы подсветки.

**Примечание:** После определенного срока эксплуатации оборудования загрязняется алюминиевый фильтр, и на цифровой панели появляется знак "C" (Clean). Это означает, что фильтры необходимо очистить. Чтобы выключить знак "C", необходимо нажать на кнопку уменьшения оборотов и удерживать в течение 5 секунд.

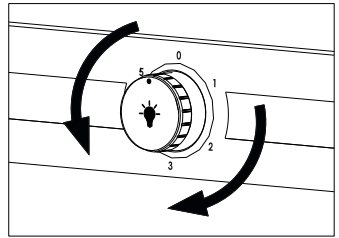
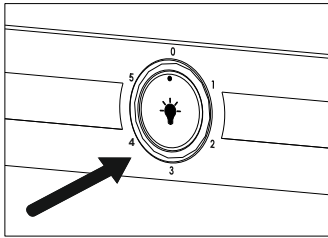
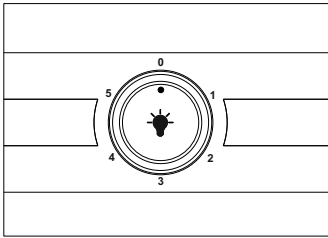
- **Нажимная кнопка:** При нажатии на кнопки активизируются различные функции. Для того, чтобы выключить эти функции, необходимо нажать на соответствующую кнопку.



## **ЗНАК      ФУНКЦИИ**

- OFF**      • Выключение двигателя. (За исключением системы подсветки)
- MIN**     • Работа двигателя на низких оборотах.
- MID**      • Работа двигателя на средних оборотах.
- MAX**     • Работа двигателя на высоких оборотах.
-       • Включение и выключение только системы подсветки.

- **Нажимная кнопка:** Положение кнопки "внутри" панели означает, что подсветка не включена. Нажатие на кнопку включает систему подсветки. Положение кнопки на позиции "0" означает, что двигатель не работает. При повороте кнопки направо увеличиваются обороты двигателя, при повороте налево - обороты уменьшаются.



### **5.2.Использование вытяжки**

Вытяжка может использоваться в кухнях с трубой и без трубы вытяжки.

### **5.3.Использование с трубой вытяжки**

При использовании с трубой вытяжки, необходимо подсоединить вытяжку к трубе, которая будет выводить воздух наружу. Для того чтобы получить хорошую производительность вытяжки, необходимо обеспечить то, чтобы система труб была как можно короче. Оборудование пригодно для использования как с, так и без трубы вытяжки.

### **5.4.Круглый угольный фильтр**

При применении без трубы вытяжки, необходимо использовать круглые угольные фильтры для очистки воздуха и ее повторной подачи. Вы можете приобрести круглый угольный фильтр в сервисном центре или у продавца оборудования.

### 5.5. Применение угольного фильтра

- Оборудование может быть использовано с угольными фильтрами.
- Не зависимо от того, применяются или не применяются ли угольные фильтры, в оборудовании всегда должны быть установлены жировые фильтры. Не используйте оборудование без жировых фильтров.
- Инструкции по использованию угольных фильтров указаны ниже.
- Перед тем, как заменить угольный фильтр, отключите оборудование от электроэнергии.
- Так как угольные фильтры используются в кухнях без трубы вытяжки, в зависимости от частоты использования вытяжки, их необходимо менять каждые 3-5 месяцев.
- Угольный фильтр ни в коем случае нельзя мыть.

### 5.6. Установка угольного фильтра

- Угольные фильтры используются в кухнях без трубы вытяжки.
- Угольные фильтры устанавливаются с обеих сторон вентилятора и, как это показано на **Рисунке 10**, фиксируются там путем поворота приблизительно на 10 градусов по часовой стрелке.
- Для извлечения фильтра необходимо выполнить все в обратном порядке.

### 5.7. Применение алюминиевого рамочного фильтра

Алюминиевый рамочный фильтр задерживает пыль и жир. Вытяжка ни в коем случае не должна использоваться без алюминиевого рамочного фильтра. (См. Рисунок 11)



Рисунок 10

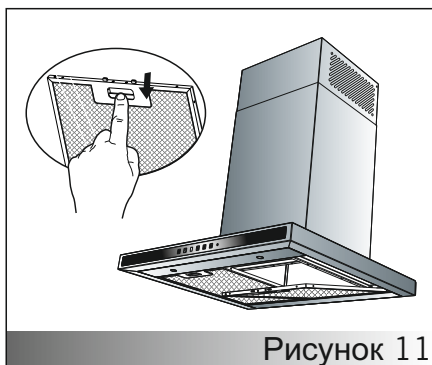


Рисунок 11



## 6. АМЕНА ЛАМПЫ

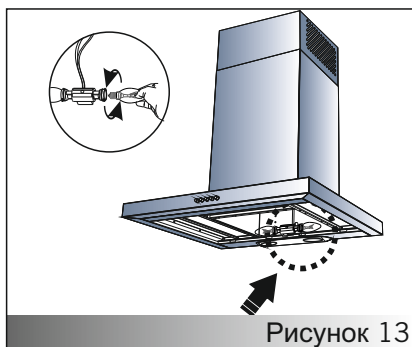
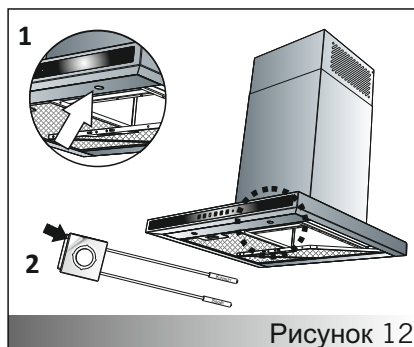
Сначала отключите вытяжку от сети электропитания.

### 6.1. Светодиодная лампа

- Нерабочие светодиодные лампы извлекаются так, как это показано на рисунке. (См. Рисунок 12)
- Извлеченные светодиодные лампы необходимо аккуратно вынуть из вытяжки.
- Извлеченную светодиодную лампу необходимо заменить идентичной лампой, приобретенной в точках сервисного обслуживания.
- Шнур питания разработан для включения с использованием штепсельной розетки. Соединение выполняется соответствующим образом.
- Рабочее или нерабочее состояние ламп проверяется путем нажатия на кнопку включения/выключения подсветки.

### 6.2. Галогенная лампа

- Нерабочая лампа извлекается так, как это показано на Рисунке 13.
- Извлеченные светодиодные лампы необходимо аккуратно вынуть из вытяжки.
- Извлеченную лампу необходимо заменить идентичной лампой.
- Рабочее или нерабочее состояние ламп проверяется путем нажатия на кнопку включения/выключения подсветки.



## 7. ТЕХНИЧЕСКОЕ ОБСЛУЖИВАНИЕ И ОЧИСТКА

- Перед техническим обслуживанием и чисткой вытяжки необходимо выдернуть шнур питания из электросети или нажать на выключатель.
- Металлический фильтр необходимо мыть один раз в месяц мыльной водой или, при возможности, в посудомоечной машине. (60 °C)

- Извлеките алюминиевый рамочный фильтр, нажав на пружинные защелки, которые находятся на трех сторонах фильтра. После очистки фильтра не устанавливайте на место, предварительно не высушив его.
- Внешнюю поверхность вытяжки необходимо протирать влажной тряпкой, смоченной в мыльной воде или спирте.
- Следите за тем, чтобы электрические детали не соприкасались с водой или иными подобными веществами.
- Для чистки оборудования Inox вы можете приобрести специальные чистящие средства inox, что обеспечит более длительный срок службы вашего оборудования.
- Алюминиевые фильтры можно мыть в посудомоечной машине. После нескольких разов мытья цвет алюминиевого фильтра может измениться. Это нормальное явление и не требует замены фильтра.

### **ПРЕДУПРЕЖДЕНИЕ !!!**

Будьте осторожны при использовании вытяжки в помещении, где также работает иное оборудование, использующее воздух и горючее (обогреватели, водонагреватели и иное оборудование, работающее на газе, дизельном топливе, угле или древесине). Потому как вытяжка, всасывая и выводя воздух наружу, может отрицательно повлиять на нагревание.

Данное предупреждение не относится к вытяжкам без трубы.

### **Для эффективной работы вытяжки:**

- При установке трубы вытяжки, используйте трубу диаметром 150/120мм, а также старайтесь обеспечить то, чтобы было как можно меньше изгибов трубы.
- Внимательно следите за сроками очистки металлических фильтров и замены угольных фильтров.
- Если не требуется большая мощность всасывания, используйте оборудование на средней мощности.
- Для правильного вентрирования необходимо, чтобы окна кухни были закрыты.

### **8. ЕСЛИ ВЫТЯЖКА НЕ РАБОТАЕТ**

- Прежде чем связаться с сервисным центром проверьте, подключен ли шнур питания к электросети, а также состояние электрической сети в помещении; не предпринимайте никаких действий, которые могут повредить оборудование.

- Сервисное обслуживание и запасные детали:
- Вы можете осуществить монтаж оборудования бесплатно, обратившись в сервисный центр.
- Запасные детали оборудования вы можете приобрести у продавца или уполномоченного сервисного центра.
- В упаковке вытяжки вы найдете список уполномоченных сервисных центров.
- Для покупки запасных деталей у вашего продавца или в сервисном центре, укажите модель и название оборудования, указанного на этикетке. После извлечения алюминиевого рамочного фильтра, вы увидите этикетку оборудования.
- Прежде чем обратиться в сервисный центр, осуществите проверку вытяжки согласно таблице.
- Если неисправность не устранена, обратитесь к продавцу или в уполномоченный сервисный центр.

	Проверьте электрическое соединение (напряжение сети должно быть 220-240 В; вытяжку необходимо подсоединить к заземленной розетке.)	Проверьте выключатель двигателя. (Выключатель двигателя должен быть в положении Выкл.)	Проверьте выключатель лампы. (Выключатель лампы должен быть в положении Выкл.)	Проверьте алюминиевый фильтр. (При нормальных условиях алюминиевый рамочный фильтр необходимо мыть один раз в месяц.)	Проверьте лампочки. (Лампочки должны быть целыми.)	Проверьте трубу отвода воздуха. (Труба отвода воздуха должна быть открытой.)	Проверьте угольный фильтр. (В вытяжках, работающих с угольным фильтром, угольный фильтр должен заменяться один раз в три месяца.)
Вытяжка не работает	X	X					
Подсветка не работает	X		X		X		
Отвод воздуха очень слабый				X		X	X
Воздух не выводится (вытяжки без труб)				X			X

يطيب لنا أن نتوجه لكم بالشكر البالغ من جراء اختيار منتجات شركة سيمفر. إن هدفنا الرئيسي يتمثل في ضمان استخدام هذا الإنتاج الذي تم تصنيعه في إطار النوعية الممتازة في مصانعنا الحديثة بمنتهى الكفاءة والأداء ودون الإضرار بالبيئة الطبيعية على الإطلاق.

ولابد لنا من أن نلفت أنظار الزبائن الكرام إلى ضرورة قراءة هذا الدليل بمنتهى الدقة قبل استعمال الجهاز والمحافظة على الدليل بغية الإبقاء على ميزات الجهاز كما اقتنيتموه لأول مرة وضمن استخدامه بالشكل الأمثل باستمرار.

#### ملاحظة:

لقد تم اعداد هذا الدليل ليتضمن عدة موديلات، وقد لا يشتمل الجهاز الذي اقتنيتموه على الميزات التي تتمتع بها الأجهزة الأخرى. ولهذا السبب فقد تم الإشارة لها بالشكل التالي: \*

إن أجهزتنا مخصصة للاستخدام المنزلي فقط وليس لأغراض تجارية أو صناعية أخرى.

"يرجى قراءة التوجيهات قبل تركيب أو استخدام الجهاز"

لقد تم تصنيع هذا الجهاز في مصانع حديثة من حيث التكنولوجيا ودون إلحاق أي ضرر كان بالبيئة والطبيعة

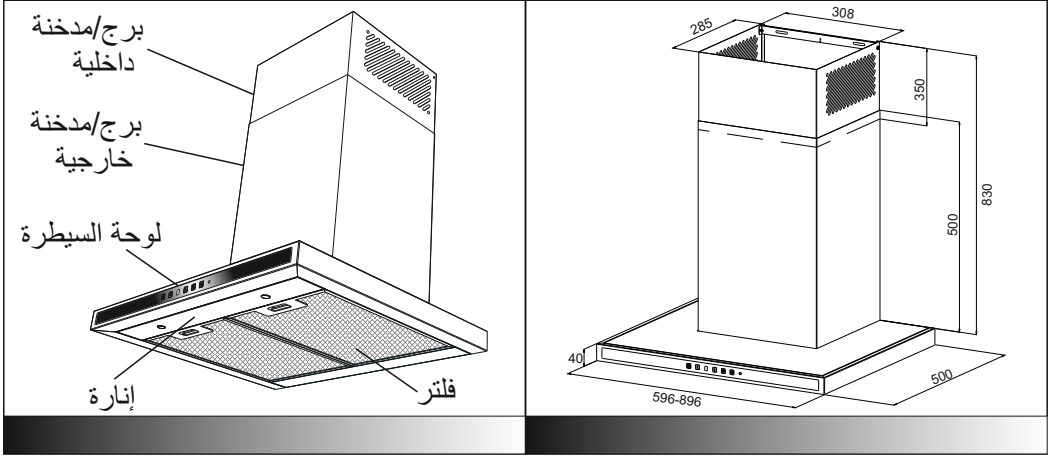
"مطابق لأنظمة الهندسة الكهربائية والإلكترونية"

53	1- التوجيهات الأمنية
54	2- تعريف الشفاط والمخططات الفنية
54	3- تركيب الشفاط
	3.1- موقع الشفاط
	3.2- تركيب صفيحة التعليق المعدنية على الشفاط
	3.3- تثبيت صفيحة التعليق المعدنية على الجدار
	3.4- تثبيت صفيحة تعليق برج الشفاط (المدخنة الداخلية) ....
55	4- تعليق الشفاط على الجدار
	4.1- ضمان التوازي بين الشفاط وأرضية المطبخ
	4.2- تركيب أنبوب الألمنيوم
56	5- وظائف الشفاط
	5.1- لوحة التحكم ووظائفها
	5.2- استخدام الشفاط
	5.3- استخدام الشفاط المزود ببرج/مدخنة
	5.4- فلتر الكربون الدائري الشكل
	5.5- استخدام فلتر الكربون
	5.6- تركيب فتر الكربون
	5.7- استخدام علبة فلتر
58	6- تغيير لمبات الإنارة
	6.1- لمبات الليد (LED)
	6.2- لمبات الهالوجين من طراز الشمعة
59	7- صيانة الشفاط وتنظيفه
60	8- إن لم يشتغل الشفاط

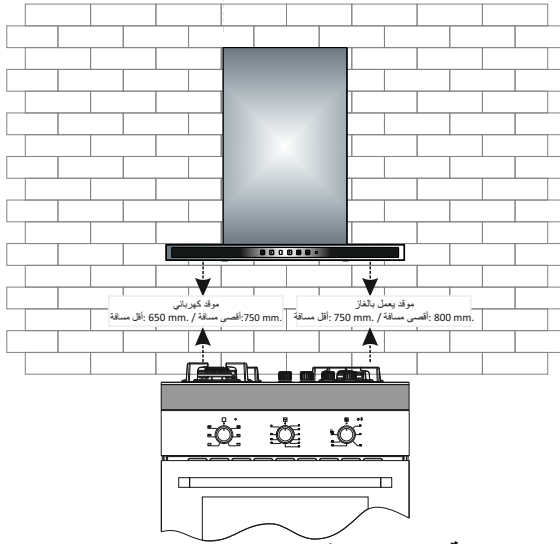
## ١- التوجيهات الأمنية

- لقد صمم هذا الجهاز للاستخدام المنزلي فقط.
- يستخدم الجهاز قوة كهربائية محركها ٢٢٠-٢٤٠ فولت و ٥٠ هرتز.
- يتمتع الجهاز بسلك أرضي. ولهذا السبب لا بد من ربط السلك بإبريز كهربائي أرضي (مقبس كهربائي).
- لا بد من تركيب كافة التأسيسات الكهربائية من قبل كهربائي ماهر.
- إن لم يتم تركيب الجهاز من قبل المؤهلين فسوف يضعف أداءه ويتعرض للضرر وقد يتسبب في وقوع الحوادث.
- تجنبوا تعريض السلك الكهربائي للضغط أو السحق أثناء تركيب الشفاط أو تمريره على مقربة من الموقد حتى لا ينصهر ويتسبب بإشعال الحرائق.
- تجنبوا وصل المآخذ الكهربائي بالمقبس قبل تركيب الشفاط.
- يستحسن تركيب المقبس الكهربائي في مكان سهل الوصول لفصل المآخذ الكهربائي لدى تعرض الجهاز لأي خطر كان.
- يستحسن عدم لمس لمبات الإنارة العاملة لمدة طويلة نظرا لارتفاع حرارتها.
- لقد تم تصميم الشفاطات المطبخية للاستخدام المنزلي ولا يمكن تجنب الخلل الذي قد تتعرض له لدى استخدامها لأغراض أخرى حيث لا تتوفر شروط الضمان.
- استجيبوا لتعليمات الجهات ذات العلاقة بصدد صرف الهواء المتصاعد من المداخل (إن هذه الملاحظة ليست سارية بالنسبة للأجهزة التي لا تتمتع بمداخن).
- تجنبوا طبخ المأكولات الملتهبة تحت الأجهزة.
- تجنبوا تشغيل الشفاط قبل وضع وعاء الطبخ أو المقلاة على الموقد حتى لا تتعرض بعض قطعه للتشويه من جراء ارتفاع الحرارة.
- لا بد من إطفاء الموقد قبل رفع وعاء الطبخ أو المقلاة عنه.
- تجنبوا ترك الزيت الحار على الموقد نظرا لإمكانية اشتعاله تلقائيا.
- يجب على المواقد أن تكون بعيدة عن الستائر والمنسوجات المشابهة حتى لا تكون سببا في اشتعال النيران أثناء القلي.
- يجب تغيير الفلترات في الأزمنة المحددة لها لسهولة اشتعالها من جراء الزيوت المتراكمة عليها.
- تجنبوا استخدام الفلترات الغير مقاومة للحرارة.
- على الأطفال ألا يعيثوا مستلزمات التغليف.
- لا تستعملوا الجهاز دون فلتر ولا تنتزعوا الفلتر أثناء تشغيل الجهاز.
- اقطعوا مصادر الطاقة الخاصة بالجهاز والموقد لدى ظهور بوادر الاشتعال (افصلوا المآخذ عن المقبس الكهربائي)، ضعوا فوطة أو قطعة قماش رطبة فوق اللهب وتجنبوا إطفائه بالماء.
- قد يتسبب الجهاز بإشعال نيران الحرائق إن لم يتعرض للتنظيف خلال فترات زمنية محددة.
- افصلوا المآخذ عن المقبس الكهربائي قبل الإقدام على صيانة الجهاز أو تنظيفه.
- لا بد من وصل الجهاز بالمدخنة بأنابيب يتراوح قطرها ما بين ١٢٠-١٥٠ مم شريطة أن تكون هذه الوصلات قصيرة إلى أدنى حد ممكن.
- تجنبوا عبث الأطفال بمثل هذه الأجهزة ولا تسمحوا لهم باستخدامها.
- لا بد من تغيير السلك الكهربائي الذي يصل الشفاط بالمقبس إن تعرض لأي ضرر كان من قبل الأخصائيين في ورشات الوكالة أو من قبل المؤهلين للحيلولة دون وقوع الحوادث الغير مستحبة.
- لضمان أمنكم يستحسن استخدام صمام كهربائي/قاطع تيار من طراز "MAX 6A" أثناء تركيب الجهاز

## 2- تعريف الشفاط والمخططات الفنية



## 3- تركيب الشفاط 3.1- موقع الشفاط

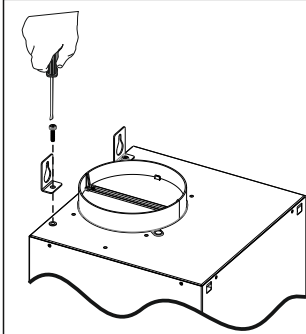


## 3.2- تركيب صفيحة التعليق المعدنية على الشفاط

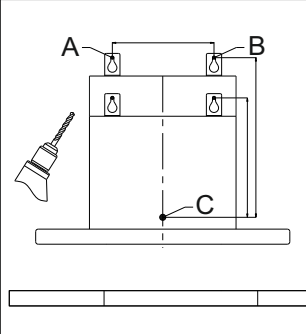
ثبتوا صفيحتي التعليق المعدنيتين الموجودتين ضمن معدات التركيب الثانوية بالشفاط حسب ما هو موضح في الصورة رقم ١ بعزقة أو صوملة وتأكدوا من تثبيت صفيحتي التعليق في المكان المحدد لهما.

## 3.3- تثبيت صفيحة التعليق المعدنية بالجدار

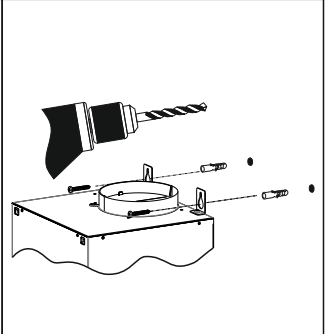
يتم فتح ثقب في الجدار حسب نموذج التركيب (A,B,C) ووضع أوتاد بلاستيكية قياس ٨ لامتساك البراغي ويتم تثبيت صفيحة التعليق كما هو موضح في الصورة رقم ٢ ببرغي (عدد ٢) من النوع المستخدم في الخشب المضغوط.



الصورة رقم ١



نموذج التركيب



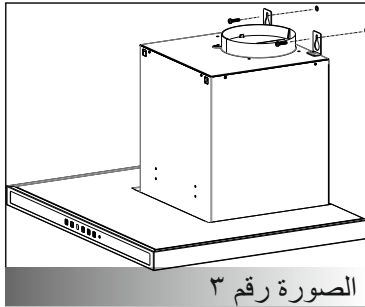
الصورة رقم ٢

### 3.4- تثبيت صفيحة تعليق برج الشفاط (المدخنة الداخلية)

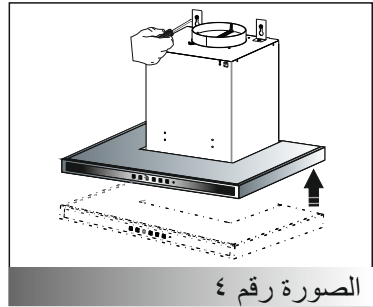
ولتثبيت صفيحة البرج الداخلي (المدخنة الداخلية) المصنوعة من الصاج على الجدار يتم فتح ثقبين في الجدار قطر ٦ مم على ارتفاع مناسب بمتقب كهربائي ووضع وتدين من البلاستيك قطر ٦ مم أيضا وتثبيت صفيحة البرج الداخلي عليهما.

### 4- تعليق الشفاط على الجدار

يتم تركيب هيكل الشفاط على الجدار كما هو موضح في الصورة رقم ٣ من خلال تثبيت صفيحة الصاج المخصصة للتعليق



الصورة رقم ٣



الصورة رقم ٤

### 4.1- ضمان التوازي بين الشفاط وأرضية المطبخ

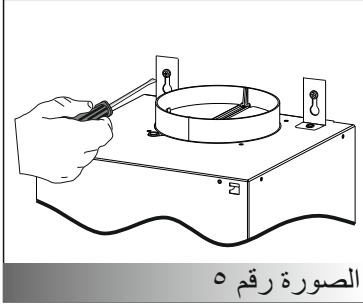
يمكن ضمان التوازي بين الشفاط وأرضية المطبخ بالاستفادة من براغي التوافق الموضحة في الصورة رقم ٤

وبعد الانتهاء من هذه العملية يستحسن شد البراغي المذكورة كما هو موضح في الصورة رقم ٥. وبعد تثبيت الشفاط بصورة نهائية يتم شد كافة البراغي (C,D) الموجودة ضمن الهيكل.

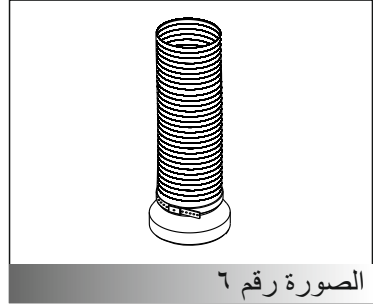
### 4.2- تركيب أنبوب الألمنيوم

ركبوا أنبوب الألمنيوم المرن على البرج/المدخنة المصنوعة من البلاستيك وركبوا الطرف الآخر من تجنبا الانحناءات والالتواء في انبوب الألمنيوم (6) كما في الصورة رقم (الأنبوب في فتحة المدخنة قدر الامكان لان مثل هذه الحالات من شأنها أن تلعب دورا في تقليص طاقة الامتصاص أو الشفط.



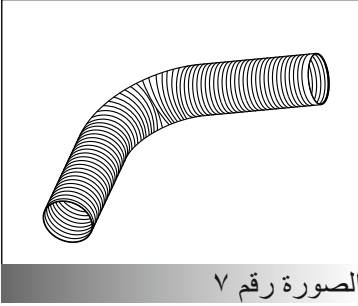


الصورة رقم ٥

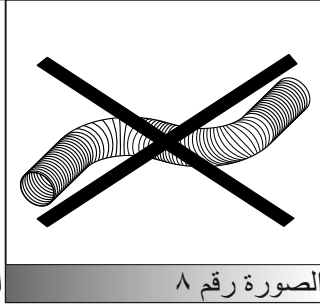


الصورة رقم ٦

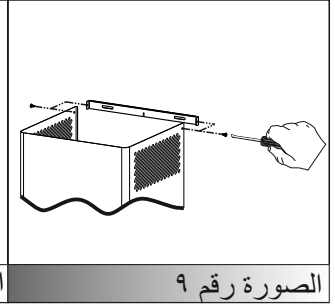
سوف تسهم الانحناءات والالتواءات في الانبوب المصنوع من في الحد من طاقة امتصاص الغازات والروائح الغير مرغوبة. ولهذا السبب، يستحسن تجنب مثل هذه الانحناءات قدر الإمكان. ولا بد في هذا الاطار من تركيب البرج الخارجي على البرج الداخلي بمنتهى الدقة وتثبيت البرج الداخلي ببرغي عدد ٢ بلوحة الصاج الداخلية كما هو موضح في الصورة رقم ٩ .



الصورة رقم ٧



الصورة رقم ٨



الصورة رقم ٩

## 5- وظائف الشفاط

### 5.1- لوحة التحكم ووظائفها

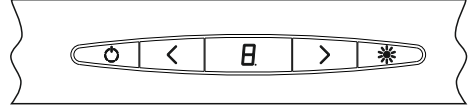
- زر الضغط: تنشط مختلف الوظائف لدى الضغط على هذه الأزرار ويمكن الحد من عمل تلك الوظائف بمجرد الضغط عليها للمرة الأخرى.









### وظائف الرموز

- OFF لإيقاف عمل المحرك.
- MIN لتشغيل المحرك بسرعة قليلة.
- MID لتشغيل المحرك بسرعة متوسطة.
- MAX لتشغيل المحرك بسرعة عالية.
- \* لفتح وإغلاق نظام الانارة.

- **التحكم باللمس:** يستحسن ملامسة الرموز الموجودة على لوحة التحكم الزجاجية لفترة قصيرة (يمكن للشفاط أن يشغّل وظائف أخرى لدى ملامسة الرموز لفترة طويلة).
- **التحكم الرمزي:** يستحسن ملامسة الرموز الموجودة لفترة قصيرة (إن تشغيل وإقفال المحرك وتحديد فترة التشغيل موجودان معا فوق نفس الرمز. ولتشغيل محرك الشفاط يكفي ملامسة الرمز لمدة ثانية واحدة، ولدى ملامسة الرمز لمدة ثلاث ثواني فسوف يعمل المحرك لمدة ١٥ دقيقة).

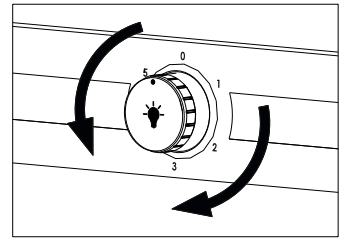
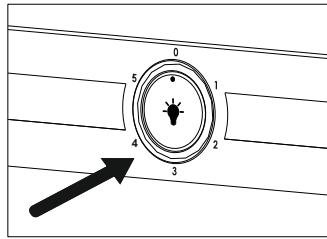
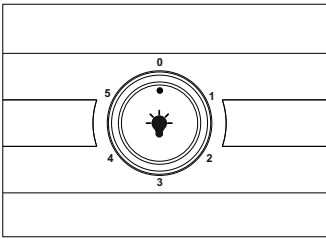


### وظائف الرموز

-  يشغل ويقفل المحرك (لا علاقة له بنظام الانارة).
-  تتضاءل سرعة المحرك أثناء التشغيل.
-  تحديد الحالة.
-  تتسارع سرعة المحرك أثناء التشغيل.
-  يتوقف المحرك عن العمل لدى ملامسة هذا الرمز بعد ١٥ دقيقة.
-  فتح وإغلاق نظام الانارة.

**ملاحظة:** يتسخ الفلتر المصنوع من الألمنيوم بعد تشغيل الشفاط لمدة معينة وتظهر اشارة "C" على لوحة التحكم الرقمية لتلفت النظر الى ضرورة تنظيفه. ولدى لمس رمز تخفيف سرعة المحرك لمدة ٥ ثواني تخفي الاشارة المذكورة انفا من لوحة التحكم.

- **ضغط وسحب الزر:** يتوقف نظام الانارة عن العمل عندما يكون الزر في الداخل ويتم فتحه لدى سحب الزر للخارج. ولا يعمل المحرك عندما يكون الزر في وضع "0" وتبدأ حركة المحرك بالتسارع لدى تحريك الزر نحو اليمين والتضاؤل لدى تحريكه نحو اليسار.



### 5.2- استخدام الشفاط

تم اعداد الاجهزة بمدخنة أو بدون مدخنة للاستعمال المنزلي فقط.

### 5.3- استخدام الشفاط المزود ببرج/مدخنة

لا بد من ربط الشفاط المزود ببرج بمدخنة المنزل من أجل شطف الهواء الداخلي في المطبخ. وكلما كان أنبوب الربط بين الشفاط والمدخنة قصيرا ازداد مردود الشطف. ولقد تم اعداد الجهاز للعمل بواسطة مدخنة المنزل أو بدونها.

#### 5.4- فلتر الكربون الدائري الشكل

يستخدم هذا النوع من الفلتر في المطابخ التي لا تتوفر فيها المداخن حيث يتم تنقية الهواء المشفوط من الروائح والزيوت المتطايرة عبر هذا الفلتر. ويمكن الحصول عليه من ورشات الوكالة أو من البائع.

#### 5.5- استخدام فلتر الكربون

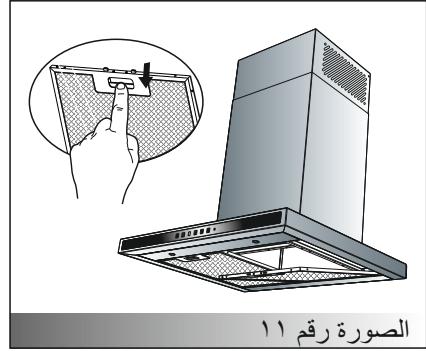
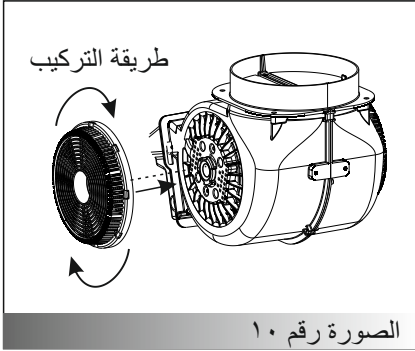
- يتمتع الجهاز الذي تستخدمونه بإمكانية تركيب فلتر الكربون.
- ان كافة الأجهزة مزودة بفلتر لامتصاص الزيوت مع أو بدون فلتر الكربون. تجنبوا استخدام الجهاز دون فلتر الزيوت.
- أدناه طريقة تركيب فلتر الكربون:
- لا بد من فصل التيار الكهربائي عن الجهاز قبل تغيير أو تركيب فلتر الكربون.
- لا بد من تغيير فلتر الكربون كل ٣-٥ أشهر وحسب مدة استعمال الشفاط وخصوصا ان كان مستخدما في المطابخ الغير مزودة بمداخن.
- تجنبوا في كافة الأحوال غسل فلتر الكربون.

#### 5.6- تركيب فلتر الكربون

- يستخدم فلتر الكربون في المطابخ الغير مزودة بمداخن.
- يتم تركيب فلتر الكربون على جانبي المروحة كما هو موضح في الصورة رقم ١٠ وذلك من خلال تحريكه باتجاه عقارب الساعة وبمقدار ١٠ درجات تقريبا.
- تتعكس هذه العملية لدى الرغبة في انتزاع الفلتر المتسخ من مكانه.

#### 5.7- استخدام العلبة التي تشتمل على فلتر الألمنيوم

تتمثل مهمة العلبة التي تحتوي على فلتر الألمنيوم في التقاط كريات الزيت المتطايرة والغبار العالقة في الهواء. ولهذا السبب، لا بد من استخدام هذا الطراز من الفلتر في جهاز الشفاط (انظر الصورة رقم ١١).



#### 6- تغيير لمبات الانارة

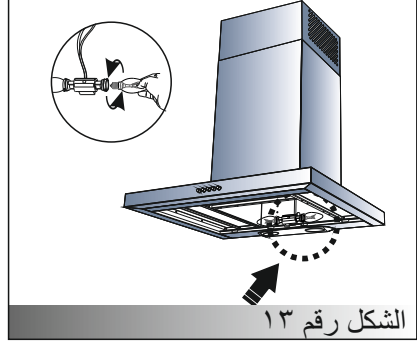
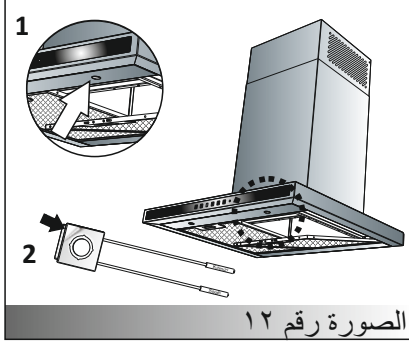
#### 6.1- لمبات الليد (LED)

لا بد من فصل التيار الكهربائي من الشفاط كخطوة أولى

- تنتزع اللمبة العاطلة عن العمل من مكانها كما هو موضح في الصورة رقم ١٢.
- تستخرج اللمبة المنتزعة من الشفاط بمنتهى الدقة.
- يتم تركيب اللمبة الجديدة بعد شرائها من الوكالة شريطة أن تتسم بنفس الخصائص.
- ان كافة الأسلاك الكهربائية مزودة بأغمد و لا بد من أخذ هذه الناحية بالاعتبار أثناء وصلها بعضها ببعض
- يمكن التأكد من أداء اللمبة الجديدة من خلال لمس زر فتح وإغلاق الانارة.

## 6.2- لمبات الهالوجين من طراز الشمعة

- تنتزع اللمبة العاطلة عن العمل من مكانها كما هو موضح في الصورة رقم ١٢ .
- تستخرج اللمبة المنتزعة من الشفاط بمنتهى الدقة.
- يتم تركيب اللمبة الجديدة بعد شرائها من الوكالة شريطة أن تتسم بنفس الخصائص.
- يمكن التأكد من أداء اللمبة الجديدة من خلال لمس زر فتح وإغلاق الانارة.



## 7- صيانة الشفاط وتنظيفه

- لا بد من فصل المآخذ الكهربائي قبل استهلال عملية الصيانة والتنظيف أو قطع الدورة الكهربائية بالكامل.
- يستحسن غسل الفلترات المعدنية بالماء الساخن والصابون مرة في الشهر الواحد ويحبذ غسلها في الآت غسل الأواني المطبخية (٦٠ درجة).
- يتم استخراج علبة فلتر الألمنيوم من خلال الضغط على المشبك المزود بنابض في نهاية العلبة. ويجب عدم اعادة العلبة الى مكانها قبل تحفيها تماما.
- يستحسن تنظيف الأوجه الخارجية للشفاط بالصابون والقماش اللين.
- لا بد من تجنب لمس الأقسام الالكترونية أو تنظيفها بأي وسيلة كانت.
- يستحسن استخدام منتجات أنوكس (Inox) للتنظيف والصيانة المتوفرة في الاسواق من أجل تنظيف وصيانة جهازكم.
- يمكن غسل الفلتر المصنوع من الألمنيوم في آلات غسل الأواني. وسوف يتغير لون الفلتر بعد غسله عدة مرات. ان هذا الوضع طبيعي ولا يستوجب استبداله بفلتر جديد.

## تحذير !!!

- لا بد من أخذ الاحتياط اللازم حين تشغيل الشفاط مع أجهزة التدفئة والتسخين الأخرى الموجودة في نفس البيئة لأن الشفاط قد يترك آثار سلبية على عملية الاشتعال من جراء طرد الهواء الداخلي للخارج باستمرار. ان هذا التحذير لا يسري على الأجهزة الغير مربوطة بالمداخن.
- ورغبة باستعمال الشفاط بشكل ناجع وفعال:
- يستحسن استخدام أنابيب بقطر ١٥٠/١٢٠ مم من أجل ربط الشفاط بالمدخنة وعدم تعريض الأنابيب لأية التواء أو انحناء قدر الامكان.
- يستحسن الانتباه لفترات تنظيف الفلترات المعدنية وتغيير فلترات الكربون من حين لآخر.
- يستحسن تشغيل الشفاط بسرعة وسطى ان لم تستدعي الحاجة تشغيله بالسرعة القصوى.
- لا بد من اغلاق كافة النوافذ في المطبخ من أجل ضمان الحد الأقصى من عملية الشفط.

### 8- ان لم يعمل الشفاط

يرجى التأكد من ارتباط المآخذ بالمقبس الكهربائي ومن سلامة قاطع التيار قبل اللجوء لورشة الاصلاح. كما يرجى عدم العبث بالجهاز حتى لا يتعرض لأضرار غير مستحبة.

#### الخدمات وقطع الغيار

يمكن الاستفادة من ورشات الوكالة من أجل تركيب الشفاط مجاناً وتأمين قطع الغيار من الوكالة بالذات أو من ورشاتها المختلفة. وسوف تجدون داخل علبة التغليف قائمة بأسماء و عناوين الورشات المؤهلة. ولا بد من احاطة الوكالة أو ورشاتها علماً بنموذج الشفاط الموجود على رقعة لاصقة فوقه من أجل الحصول على القطعة اللازمة له بالضبط.

ويستحسن أخذ الجدول أدناه بنظر الاعتبار قبل مراجعة الوكالة .

يستحسن الاتصال بالورشة أو البائع فيما اذا استمرت المشكلة.

تأكدوا من سلامة فلتر الكربون (غيروا الفلتر مرة واحدة في الشهر)	تأكدوا من سلامة برج الشفاط ومن نظافة المدخنة	تأكدوا من اللببات وما اذا كانت سليمة أم لا	تأكدوا من فلتر الألمنيوم (غسلوا الفلتر مرة واحدة في الشهر)	تأكدوا من سلامة اللببة (الزرر في الوضع المفتوح)	تأكدوا من المحرك (الزرر في الوضع المفتوح)	تأكدوا من الارتباطات الكهربائية ومن التيار ٢٢٠-٢٤٠ فولط	
					X	X	الشفاط لا يعمل
		X		X		X	لمبات الانارة غير فعالة
X	X		X				عمل الشفاط غير مجدي
X			X				لا يطرد الهواء للخارج