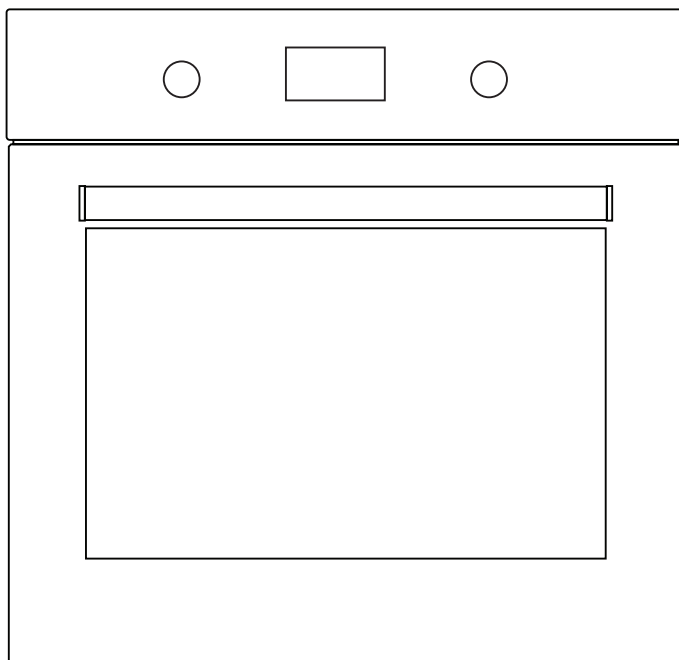


BUILT-IN OVEN

60cm

Gas And Electric



H10-20-220-077 Rev 003

USER MANUAL **GB**
РУКОВОДСТВО ПОЛЬЗОВАТЕЛЯ **RU**

Dear Customer,

Thank you for relying on this product.

We aim to allow you to optimally and efficiently use this environment-friendly product produced in our modern facilities under precise conditions with respect to sense of quality in total.

We advise you to read these operating manual thoroughly before using the oven and keep it permanently so that the features of the built-in oven you have purchased will stay the same as the first day for a long time.

NOTE:

This Operating Manual is prepared for multiple models. Your appliance may not feature some functions specified in the manual.

The product images are schematic.

This product has been produced in modern environment-friendly facilities without adversely affecting nature.

Products marked with (*) are optional.

"Complies with AEEE Regulation"

CONTENTS

Important Warnings.....	4
Introducing The Appliance.....	7
Technical Specifications.....	8
Injector, Gas Flow And Power Table.....	8
Installation Of Appliance.....	9
Important Warnings.....	14
Ventilation Of Room.....	16
Transformation From Natural Gas To Lpg And From Lpg To Natural Gas.....	17
Reduced Gas Flow Rate Setting For Taps.....	18
Control Panel.....	18
Program Types.....	19
Lighting The Oven Manuall.....	20
Maintenance And Cleaning.....	20
Cooking Recommendations.....	21
Cooking Table.....	21
Using The Oven.....	22
Replacing Oven Lamp.....	23
Cleaning And Mounting Oven Door.....	24
Accessories.....	25
Cleaning Oven Glass.....	26
Using The Grill Deflector Sheet.....	26
Troubleshooting.....	27
Environmentally-Friendly Disposal.....	27
Package Information.....	27

IMPORTANT WARNINGS

- 1. WARNING:** To avoid electric shock, ensure that the appliance circuit is open before changing the lamp.
- 2. WARNING:** All supply circuit connections must be disconnected before accessing terminals.
- 3. WARNING:** The accessible parts may be hot during use of grid. Children must be kept away.
- 4. WARNING:** Fire hazard; do not store materials on cooking surface.
- 5. WARNING:** If the surface is cracked, open the appliance circuit to avoid risk of electric shock.
- 6. WARNING:** Appliance and its accessible parts are hot during operation.
7. Setting conditions of this appliance are specified on the label.(Or on the data plate)
8. Accessible parts might be hot during use of grill. Small children should be kept away.
- 9. WARNING: Appliance is intended for cooking only. It should not be used for other purposes like heating a room.**
10. There are additional protective tools avoiding contact with oven doors. This part must be attached when it's likely that there are children around.
11. Do not use steam cleaners to clean the appliance.
12. NEVER try to put out the fire with water. Only shut down the appliance circuit and then cover the flame with a cover or a fire blanket.

- 13.** Hard and abrasive cleaners or hard metal scrapers should not be used to clean the oven glass door, as these can scratch the surface and cause breaking.
- 14.** Ensure that door is fully closed after food is placed.
- 15.** Children under 8 years of age should be kept away, if they cannot be monitored continuously.
- 16.** Touching the heating elements should be avoided.
- 17.** This appliance can be used by children over 8 years of age, people with physical, hearing or mental challenges or people with lack of experience or knowledge; as long as control is ensured or information is provided regarding the dangers.
- 18.** The appliance hasn't been designed for operation with an external timer or a separate remote control system.
- 19.** This device has been designed for domestic use.
- 20.** Cleaning and user maintenance can't be made by children without adult supervision.
- 21.** Children must not play with the appliance. Cleaning and user maintenance shouldn't be made by children unless they are older than 8 years old and under adult supervision.
- 22.** Make sure that children at and under 8 can't reach appliance and appliance cable.

23. Keep curtains, tissue paper or combustible (flammable) materials away from appliance before starting to use it. Do not place flammable or combustible materials in or on the appliance.

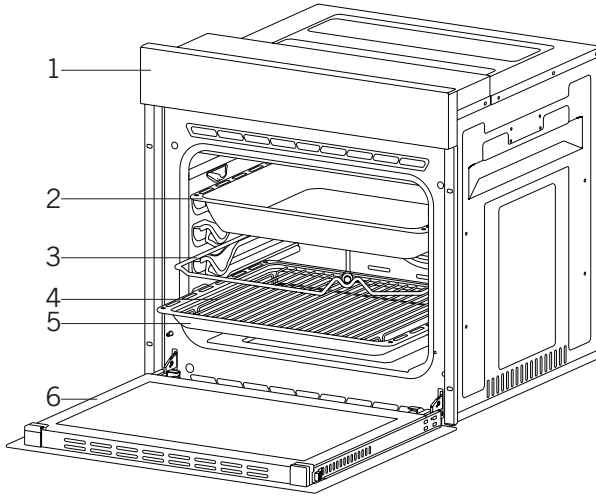
24. This appliance is not connected to a combustion product discharge system. This appliance shall be connected and installed as per the applicable installation legislation. Consider the requirements related with ventilation.

25. Using a gas hob will release humidity and combustion products in the room where it resides. Especially during when the appliance in use, ensure that the kitchen is well ventilated and retain the natural ventilation holes or install a mechanical ventilation system. (Hood on top of the oven) Sustained usage of the appliance may require additional ventilation. For example opening a window or if available, increasing the ventilation level of a mechanical ventilation system.

26. “This appliance should be installed as per regulations and in well-ventilated location only. Read the instructions before installing or operating the appliance.”

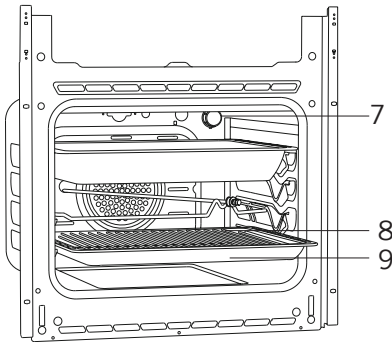
27. “Before placing the appliance check the local conditions (gas type and gas pressure) and ensure that the settings of the appliance is appropriate.”

INTRODUCING THE APPLIANCE



- 1. Control Panel
- 2. Deep Tray*
- 3. Roast Chicken Skewer*

- 4. In Tray Wire Grid
- 5. Standard Tray
- 6. Oven door



- 7. Lamp
- 8. In Tray Wire Grid
- 9. Standard Tray

TECHNICAL SPECIFICATIONS

SPECIFICATIONS	60 cm Built-In Oven
Lamp Power	15-25W
Thermostat	100-250 / Max °C
Grill Heater	2000W
Supply Voltage	220V-240V 50/60 Hz

INJECTOR, GAS FLOW AND POWER TABLE

BURNER SPECIFICATIONS	G20,20 mbar G25,25 mbar		G20,25 mbar		G30,28-30 mbar G31,37 mbar		G30,37 mbar		
	Gas Natural		Gas Natural		LPG		LPG		
Grill Burner	Injector	0,92	mm	0,92	mm	0,60	mm	0,60	mm
	Gas Flow	0,144	m ³ /h	0,144	m ³ /h	109	g/h	109	g/h
	Power	1,50	kW	1,50	kW	1,50	kW	1,50	kW
Oven Burner	Injector	0,97	mm	0,97	mm	0,65	mm	0,65	mm
	Gas Flow	0,171	m ³ /h	0,171	m ³ /h	131	g/h	131	g/h
	Power	1,80	kW	1,80	kW	1,80	kW	1,80	kW

Technical specifications can be changed without prior notice to improve product quality.

The values provided with the appliance or its accompanying documents are laboratory readings in accordance with the respective standards. These values may differ depending on the use and ambient conditions.

Figures in this guide are schematic and may not be exactly match your product.

INSTALLATION OF APPLIANCE

Ensure that electrical installation is suitable for operationalising the appliance. If not, call an electrician and plumber to make necessary arrangements. Manufacturing firm can't be hold responsible for damages to arise due to operations by unauthorized people and product warranty becomes void.

WARNING: It is customer's responsibility to prepare the location the product shall be placed on and also have power utility prepared.

WARNING: The rules about electrical local standards must be adhered to during product installation.

WARNING: Check for any damage on the product before installing it. Do not have product installed if it's damaged. Damaged products pose danger for your safety.

Important Warnings for Installation:

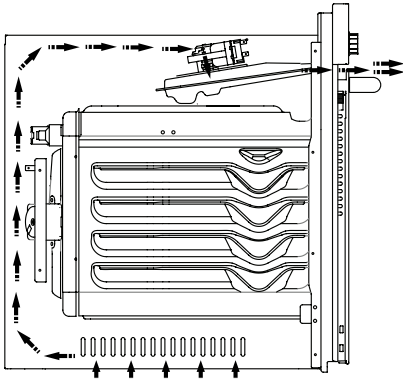


Figure 1

Cooling fan shall take extra steam out and prevent outer surfaces of appliance from overheating during operation of oven. This is a necessary condition for better appliance operation and better cooking.

Cooling fan shall continue operation after cooking is finished. Fan shall automatically stop after cooling is completed.

A clearance must be left behind the enclosure where you'll place the appliance for efficient and good operation. This clearance shouldn't be ignored as it's required for ventilation system of the appliance to operate.

Right Place For Installation

Product has been designed to be mounted to worktops procured from market. A safe distance must be left between the product and kitchen walls or furniture. See the drawing provided on the next page for proper distances. (values in mm)

- Used surfaces, synthetic laminates and adhesives must be heat resistant. (minimum 100°C).
- Kitchen cupboards must be level with product and secured.
- If there is a drawer below the oven, a rack must be placed between oven and drawer.

WARNING: Do not install the product next to refrigerators or coolers. The heat emitted by the product increases the energy consumption of cooling devices.

WARNING: Do not use door and/or handle to carry or move the product.

60 cm Built-In Oven Installation and Mounting

Place of use for product must be located before starting installation. Product mustn't be installed in places which are under the effect of strong air flow.

Carry the product with minimum two people. Do not drag the product so that floor isn't damaged.

Remove all transportation materials inside and outside the product. Remove all materials and documents in the product.

Installation Under Counter

Cabin must match the dimensions provided in Figure 2.

A clearance must be provided at the rear part of the cabin as indicated in the figure so that necessary ventilation can be achieved.

After mounting, the clearance between lower and upper part of the counter is indicated in Figure 5 with "A". It's for ventilation and shouldn't be covered.

Installation In An Elevated Cabinet

Cabin must match the dimensions provided in Figure 4.

The clearances with the dimensions indicated in the figure must be provided at the rear part of cabin, upper and lower sections so that necessary ventilation can be achieved.

Installation Requirements

Product dimensions are provided in the Figure 3.

Furniture surfaces for mounting and mounting materials to be used must have a minimum temperature resistance of 100 °C.

Mounting cabin must be secured and its floor must be plane for product not to tilt over.

Cabin floor must have a minimum strength that would handle a load of 60 kg.

Placing and Securing the Oven

Place the oven into the cabin with two or more people.

Ensure that oven's frame and front edge of the furniture match uniformly.

Supply cord mustn't be under the oven, squeeze in between oven and furniture or bend.

Fix the oven to the furniture by using the screws provided with the

product. Screws must be mounted as shown in Figure 5 by passing them through plastics attached to frame of the product. Screws mustn't be overtightened. Otherwise, screw sockets might be worn.

Check that oven doesn't move after mounting. If oven isn't mounted in accordance with instructions, there is a risk of tilt over during operation.

Electrical Connection

Mounting place of the product must have appropriate electrical installation.

Network voltage must be compatible with the values provided on type label of product.

Product connection must be made in accordance with local and national electrical requirements.

Before starting the mounting disconnect network power. Do not connect the product to network until its mounting is completed.

Mounting

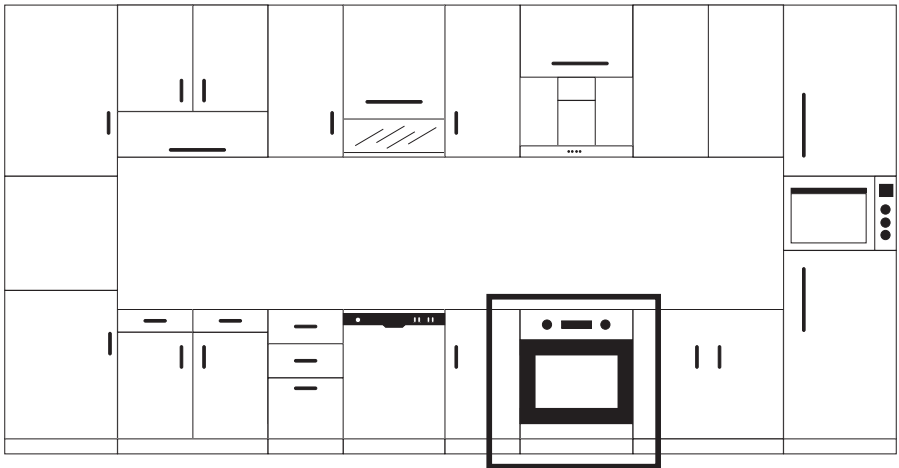


Figure 2

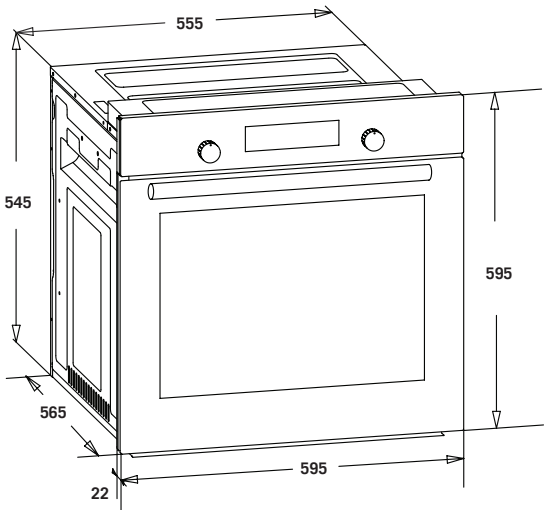
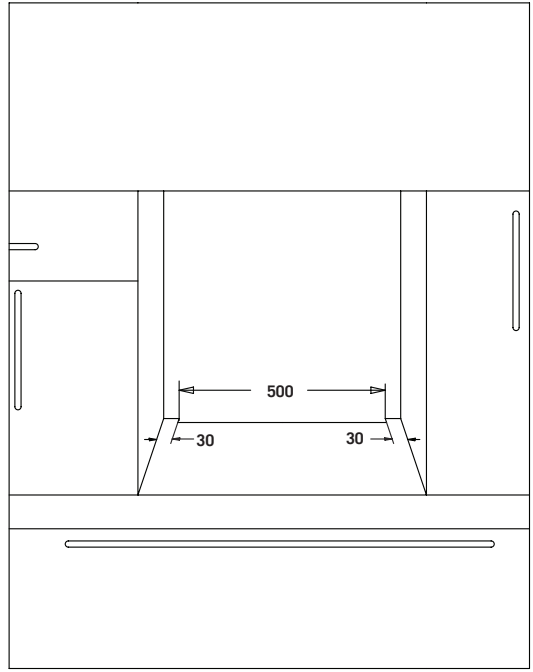
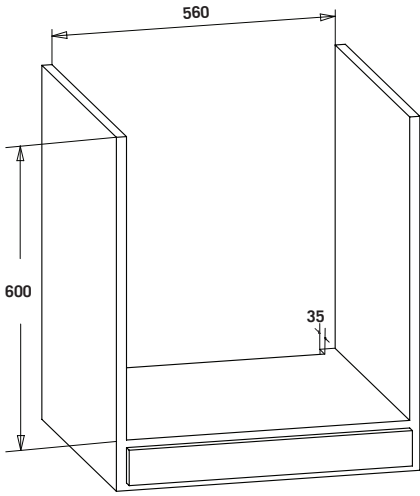


Figure 3

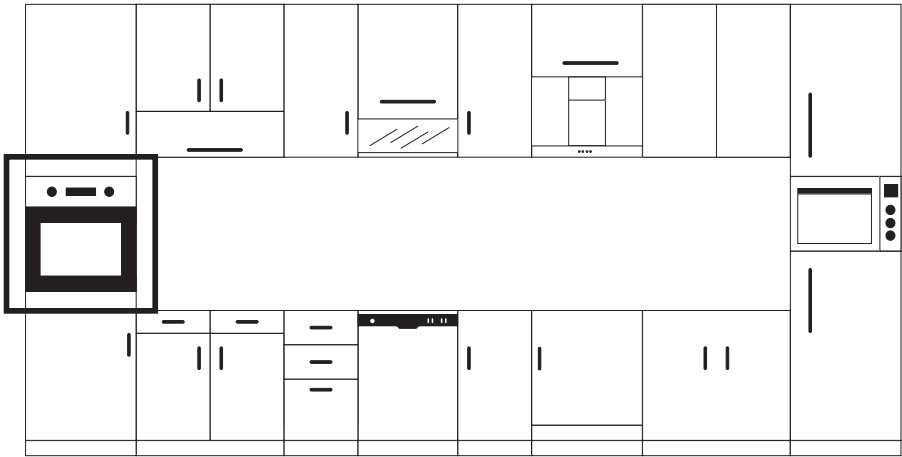
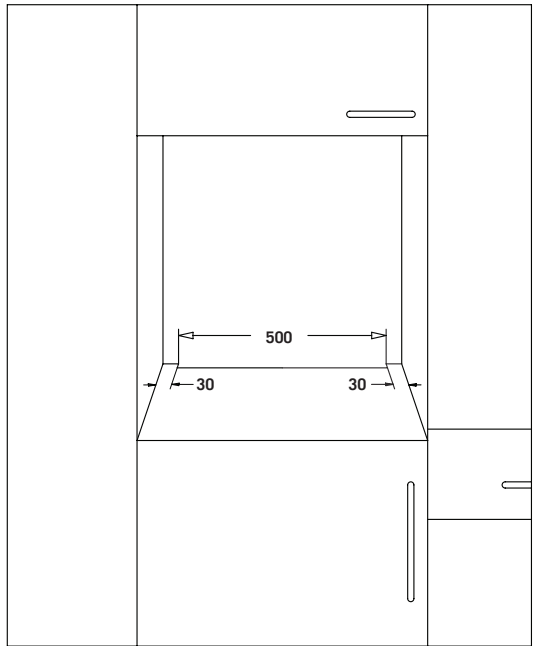
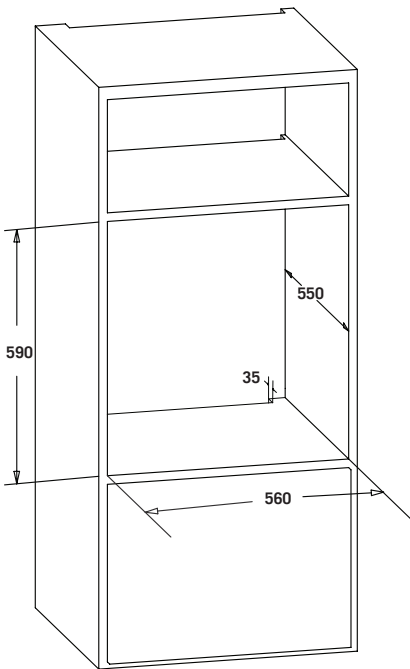


Figure 4



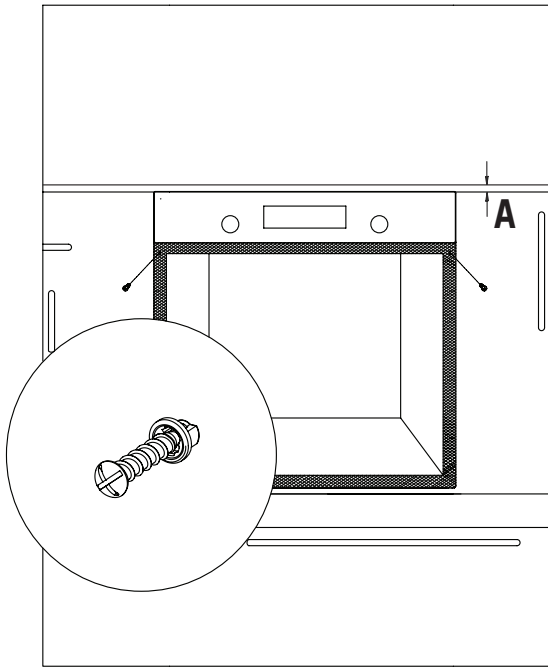


Figure 5

IMPORTANT WARNINGS

Electrical Connection and Safety

This oven must be installed and connected to its place correctly according to manufacturer instructions and by an authorized service.

Appliance must be installed in an oven enclosure providing high ventilation.

Electrical connections of the appliance must be made only via sockets having earth system furnished in compliance with rules. Contact an authorized electrician if there is no socket complying with the earthed system at where appliance will be placed. Manufacturing company is by no means responsible for damage resulting from connection of non-earthed sockets to appliance.

Plug of your oven must be earthed; ensure that socket for the plug is earthed. Plug must be located in a place that can be accessed after installation.

Your oven has been manufactured as 220-240 V 50/60 Hz. AC power supply compliant and requires a 16 Amp fuse. If your power network is different that these indicated values, refer to an electrician or your authorized service.

When you need to replace the electrical fuse, please ensure that electrical connection is made as follows:

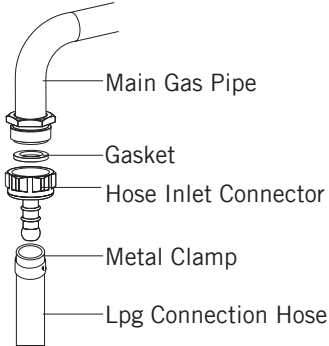
- Phase (to live terminal) brown cable
- Blue cable to neutral terminal
- Yellow-green cable to earth terminal

Oven disconnecting switches must be in an accessible place for final user while oven is in its place.

Power supply cable (plug in cable) mustn't touch hot parts of the appliance. If supply cord (plug in cable) is damaged, this cord must be replaced by the importer or its service agent or an equally competent personnel to prevent a hazardous situation.

Gas Connection and Security

Gas Connection and Safety

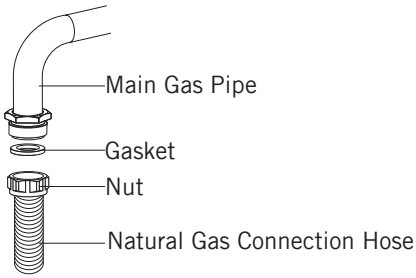


1. For LPG (cylinder) connection, affix metal clamp on the hose coming from LPG cylinder. Affix an edge of the hose on hose inlet connector behind the appliance by pushing to end through heating the hose in boiled water. Afterward, bring the clamp towards end section of the hose and tighten it with screwdriver. The gasket and hose inlet connector required for connection is as the picture shown below.

NOTE: The regulator to be affixed on LPG cylinder should have 300 mmSS feature.



Gas hose and electric connection of the appliance should not pass next to hot areas such as back of the appliance. Gas hose should be connected by making wide angle turns against breaking possibility. Movement of appliance whose gas connection is made may cause gas leakage.



2. Natural gas connection should be done by authorized service. For natural gas connection, place gasket in the nut at the edge of natural gas connection hose. To install the hose on main gas pipe, turn the nut. Complete the connection by making gas leakage control.

3. Connect your appliance to gas oven from the shortest way and in a manner to prevent any leakage. For safety, the hose used should be maximum 125 cm and minimum 40 cm.

4. While making gas leakage control; never use lighter, match, glowing cigarette or similar inflammable matter.

5. Apply soap bubble on connection point. If any leak/leakage exists, foaming will occur on soaped region.

VENTILATION OF ROOM

The air needed for burning is received from room air and the gases emitted are given directly in room. For safe operation of your product, good room ventilation is a precondition. If no window or room to be utilized for room ventilation is available, additional ventilation should be installed. However, room has a door opening outside, it is no needed to vent holes.

Room Size	Ventilating Opening
Smaller Than 5m ³	min. 100 cm ²
Between 5 m ³ - 10 m ³	min. 50 cm ²
Bigger Than 10m ³	No Need
In Basement or Cellar	min. 65 cm ²

TRANSFORMATION FROM NATURAL GAS TO LPG AND FROM LPG TO NATURAL GAS

Removal of the Upper Burner:

With the help of a screw driver, remove the screw as shown in Figure 6. As shown in Figure 7, remove the burner from its place by pulling it to yourself. As shown in Figure 8, remove the injector in the bearing with a socket wrench and insert the injector suitable replacement. In order to re-place the burner, apply the removal process reversely.

Figure 6

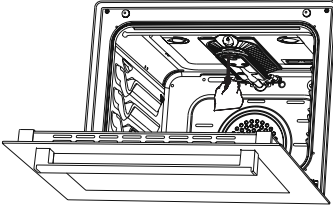


Figure 7

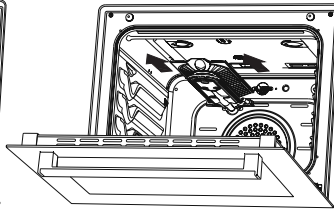
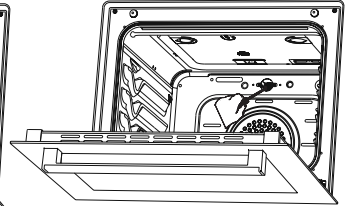


Figure 8



Removal of the Lower Burner:

The lower burner door has been fixed with two screws. As shown in Figure 9, remove it with the help of a screw driver. Remove the door by pulling upwards as shown in Figure 10. Remove the burner from its place by pulling it to yourself as shown in Figure 11. As shown in Figure 12, remove the injector in the bearing with a socket wrench and insert the injector suitable replacement. In order to replace the burner, apply the removal process reversely.

Figure 9

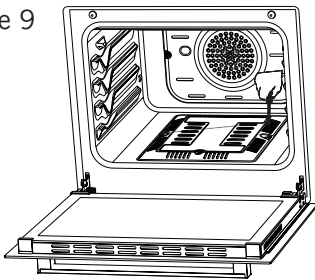


Figure 10

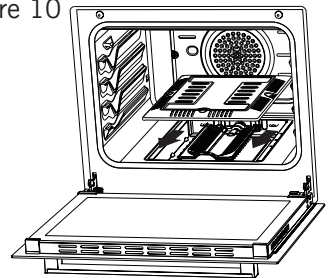


Figure 11

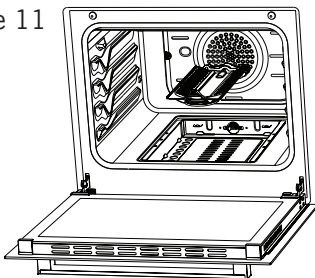
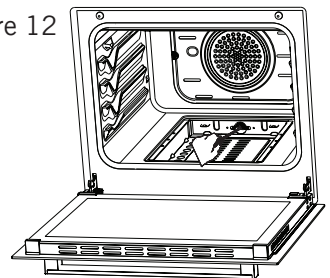


Figure 12



REDUCED GAS FLOW RATE SETTING FOR TAPS

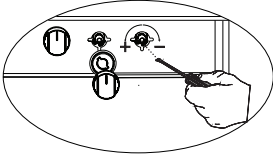


Figure 13

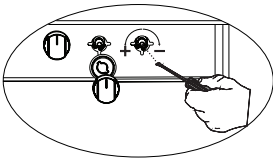


Figure 14

1. Ignite the burner that is to be adjustment and turn the knob to the reduced position.
2. Remove the knob from the gas tap.
3. Use an appropriately sized screwdriver to adjust the flow rate adjustment screw. For LPG (Butane-Pro pane) turn the screw clockwise. For the natural gas, you should turn the screw counter-clockwise once.

“The normal length of a straight flame in the reduced position should be 6-7 mm.”

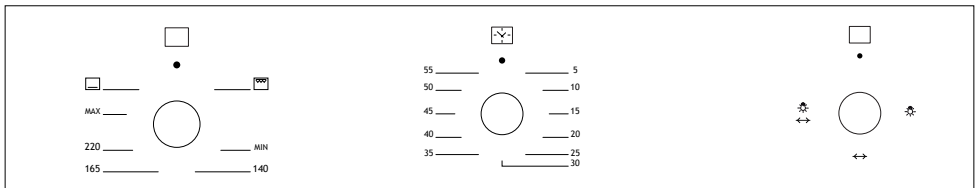
4. If the flame is higher than the desired position, turn the screw clockwise. If it is smaller turn anticlockwise.

5. For the last control, bring the burner both to high-flame and reduced positions and check whether the flame is on or off.

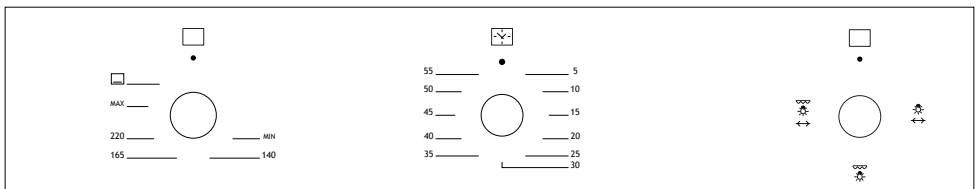
Depending on the type of gas tap used in your appliance the adjustment screw position may vary.

To adjust your oven acc. to the gas type, make the adjustment for reduced flame carefully by turning with a small screwdriver as shown below on the screw in the middle of the gas cocks as well as nozzle changes. (Figure 13 and 14)

CONTROL PANEL



Built in Gas Oven Control Panel Picture



Built in Mix Oven Control Panel Picture

The roast chicken function is optional.

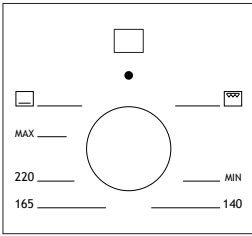


Figure 15

Oven Control Knob: Provides to control gas oven burners (for thermostatic oven burner and upper burner). Also you can use the ignition under knob function to flame the gas burners.

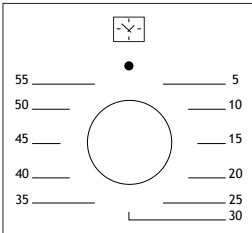


Figure 16

***Mechanical Timer Button:** Helps to set time for the food to be cooked in the oven. See cooking table for cooking times.

PROGRAM TYPES

Heating program types in your appliance and important explanations of them are provided below for you can cook different foods appealing to your taste.

	Oven Burner		Grill Burner
	Roast Chicken		Lamp
	Timer		Turbo Fan*

Oven Burner: You can reheat or brown meals using bottom heating. it is also most suitable of heating far preserving food.

Grill Burner: This function is used for grilling. Place food on the wire grid put wire grid into the oven top rack. After place oven deep tray under wire grid.

LIGHTING THE OVEN MANUALL

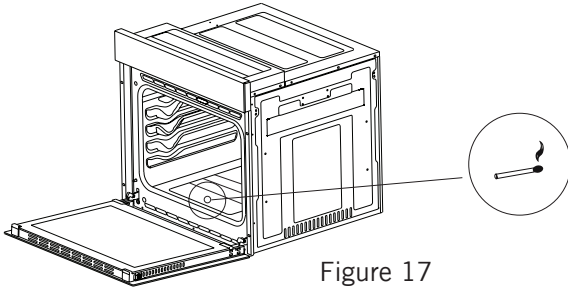


Figure 17

In the event of a power failure, the oven burner can be lit manually:

1. Open oven door
2. Hold match or lighter near the burner hole as shown in the figure.
3. Once the burner is lit, shut the oven door.

NOTE: If the oven burner is accidentally extinguished, turn the oven control knob to the off position, open the oven door, ventilate the kitchen and wait for least one minute before trying to light the burner again.

ATTENTION: Automatic switch is available in the oven. Use this feature when the power fails.

MAINTENANCE AND CLEANING

1. Remove the power plug from electrical socket.
2. Do not clean inner parts, panel, trays and other parts of the product with hard tools such as bristle brush, wire wool or knife. Do not use abrasive, scratching materials or detergent.
3. Rinse after wiping the parts at inner parts of the product with soapy cloth, then dry thoroughly with a soft cloth.
4. Clean glass surfaces with special glass cleaning material.
5. Do not clean your product with steam cleaners.
6. Never use combustibles like acid, thinner and gas while cleaning your product.
7. Do not wash any part of the product in dishwasher.
8. "Use potassium stearate (soft soap) for dirt and stains.

You can perform cleaning with a soft textured cloth not to scratch surfaces according to the figures below.

COOKING RECOMMENDATIONS

You can find in the following table the information of food types which we tested and identified their cooking values in our labs. Cooking times can vary depending on the network voltage, quality of material to be cooked, quantity and temperature. Dishes to cook by using these values might not appeal to your taste. You can set various values for obtaining different tastes and results appealing to your taste by making tests.

WARNING: Oven must be preheated for 7-10 minutes before placing the food in it.

COOKING TABLE

Food	Cooking Function	Cooking Temperature (°C)	Cooking Rack	Cooking Time (min.)
Cake	Oven	170-180	3	35-45
Small Cake	Oven	170-180	3	25-30
Pie	Oven	180-200	3	35-45
Pastry	Oven	180-190	3	20-25
Cookie	Oven	170-180	3	20-25
Apple Pie	Oven	180-190	3	50-70
Sponge cake	Oven	200/150*	3	20-25
Pizza	Oven	180-200	3	20-30
Lasagne	Oven	180-200	3	25-40
Meringue	Oven	100	3	50
Grilled Chicken**	Grill	200-220	3	25-35
Grilled Fish**	Grill	200-220	3	25-35
Calf Steak**	Grill	Max	4	15-20
Grilled Meatball**	Grill	Max	4	20-25

* Do not preheat. First half of cooking time is recommended to be at 200°C and while the other half at 150°C.

** Food must be turned after half of the cooking time.

USING THE OVEN

Initial Use of Oven

Here are the things you must do at first use of your oven after making its necessary connections as per instructions:

1. Remove from the oven inside artwork information and spare parts. If any, take out the protective folio on front side of the appliance.
2. Remove dust and package residues by wiping inside of the oven with a damp cloth. Inside of oven must be empty. Plug the cable of appliance into the electrical socket.
3. Set the thermostat button to the highest temperature (250 Max. °C) and run the oven for 30 minutes with its door closed. Meanwhile a slight smoke and smell might occur and that's a normal situation.
4. Wipe inside of the oven with a slightly warm water with detergent after it becomes cold and then dry with a clean cloth. Now you can use your oven.

Normal Use of Oven

1. This gas oven's top (grill) and bottom burner can only be used one at a time. When you want use your chosen burner, first you press the tap knob and wait 5 seconds to purge air from the pipes. Then you can ignite the burner by automatic ignition system (optional) or match.
2. Once the burner is lit, you must continue to hold the knob in for between 10 to 15 seconds for the flame supervisory system to work.
3. When the burner is lit and fully established after a minute or two, then you can close the oven door.

Advice on Grilling:

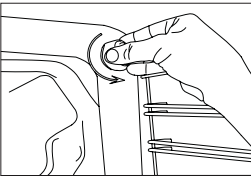
1. **Always open the oven door when grilling.**
2. If possible, use pieces of meat which are of the same thickness. Such pieces will be browned evenly and stay juicy and soft in the middle. Only salt the steaks after they have been grilled.
3. Place the pieces of meat directly onto the wire grid. If you are grilling one piece of meat, it will turn out best if you place it in centre of the wire grid.
4. You should also insert the deep tray into the position below, as the meat juices are collected here and oven is kept clean. Turn the pieces of meat after two thirds of the cooking time indicated.

CHANGING THE OVEN LAMP

In order to avoid the possibility of an electric shock, ensure that the circuit of the appliance is open before changing the lamp. (The open-circuit is an electrical circuit that does not conduct current)

1. First of all, cut the electrical connection of the appliance and ensure that the appliance is cooled down.
2. Remove the glass protection by turning as shown in the figure. If you have difficulty in turning it, the use of plastic gloves will help you.
3. Afterwards, remove the lamp by turning and install the new lamp with the same specifications.
4. Place the glass protection and complete the replacing process by plugging in the electric cable of the appliance. Now, you can use your oven.

Type G9 Lamp Assembly:



220-240 V, AC
15-25 W

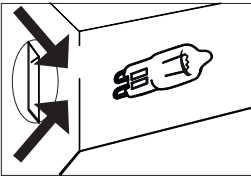
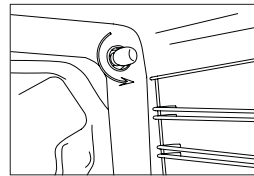


Figure 18

Type E14 Lamp Assembly:



220-240 V, AC
15 W

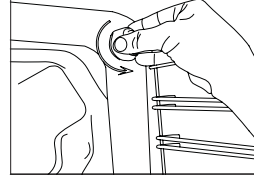


Figure 19

CLEANING AND MOUNTING OVEN DOOR

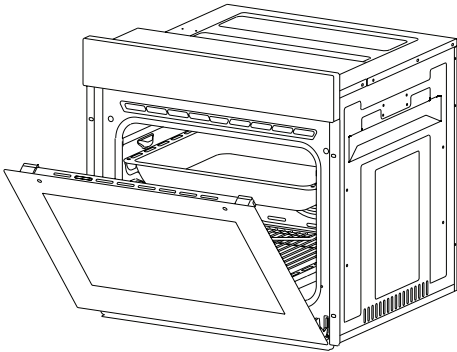


Figure 20

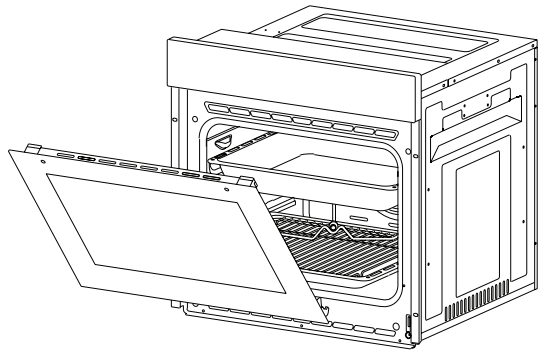


Figure 21

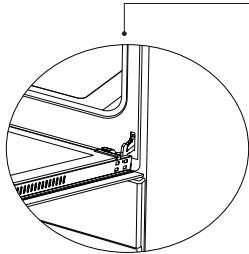


Figure 20.1

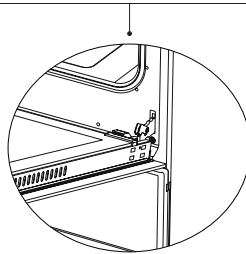


Figure 20.2

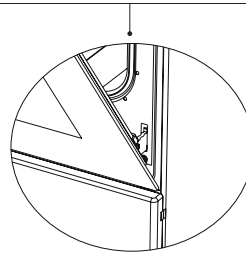


Figure 21.1

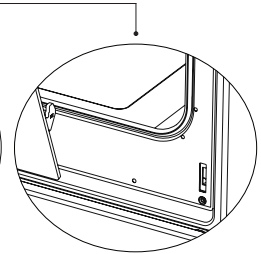


Figure 21.2

Open the door fully by pulling the oven door toward yourself. Then perform unlock operation by pulling the hinge lock upwards with the aid of screwdriver as indicated in **Figure 20.1**.

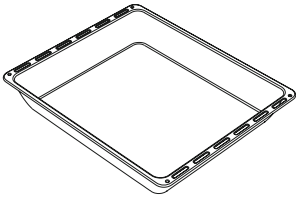
Set the hinge lock to the widest angle as in **Figure 20.2**. Adjust both hinges connecting oven door to the oven to the same position.

Later, close the opened oven door so that it will be in a position to contact with hinge lock as in **Figure 21.1**.

For easier removal of oven door, when it comes close to closed position, hold the cover with two hands as in **Figure 21.2** and pull upwards.

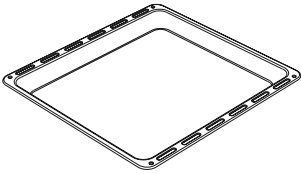
Reversely perform respectively what you did while opening door to reinstall oven door back.

ACCESSORIES (Optional)



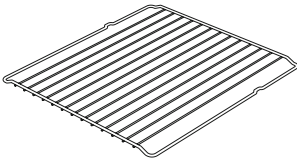
Deep Tray *

Used for pastry, big roasts, watery foods. It can also be used as oil collecting container if you roast directly on grill with cake, frozen foods and meat dishes.



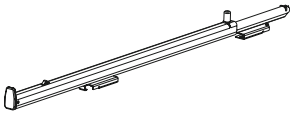
Tray

Used for pastry (cookie, biscuit etc.), frozen foods.



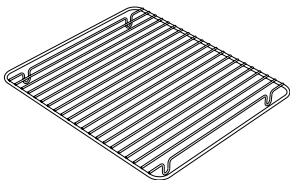
Wire Grid

Used for roasting or placing foods to be baked, roasted and frozen into desired rack.



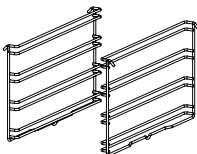
Telescopic Rail*

Trays and wire racks can be removed and installed easily thanks to telescopic rails.



In Tray Wire Grid *

Foods to stick while cooking such as steak are placed on in tray grill. Thus contact of food with tray and sticking are prevented.



Wire Racks*

You can place deep tray and tray on lower and upper wire racks while cooking.

CLEANING OVEN GLASS

Lift by pressing on plastic latches on left and right side as shown in Figure 22 and pulling the profile toward yourself as in Figure 23. Glass is released after profile is removed as shown in Figure 24. Remove the released glass by pulling toward yourself carefully. Outer glass is fixed to oven door profile. You can perform glass cleaning easily after glasses are released. You can mount glasses back by performing the operations reversely after cleaning and maintenance are completed. Ensure that profile is seated properly in place.

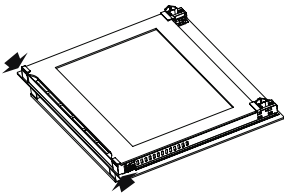


Figure 22

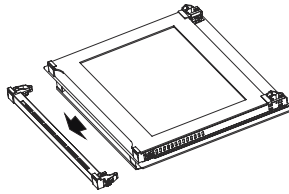


Figure 23

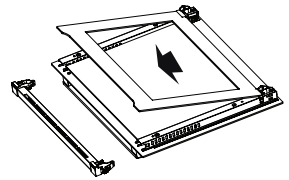


Figure 24

USING THE GRILL DEFLECTOR SHEET*

1. Place the heat shield under the control panel by opening the oven front door. (Figure 26)

2. Locate the two mounting tabs on the heat shield into the two slots under the control panel, then secure in place between oven and inner door by gently closing the door. (Figure 27)

3. It is important to keep the door open the specified distance when grilling.

4. The heat shield will provide an ideal cooking performance while protecting the control panel and knobs.

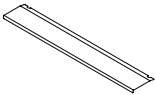


Figure 25

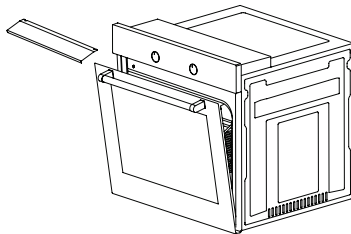


Figure 26

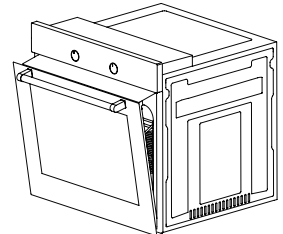


Figure 27

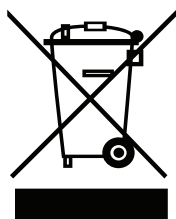
TROUBLESHOOTING

You can solve the problems you can face with your product by checking the following points before calling the technical service.

If Oven Doesn't Work;

1. Check if electrical cable of the oven is plugged.
2. Safely check if there is power in the network.
3. Check the fuses.
4. Check if electrical cable of the oven is damaged.

ENVIRONMENTALLY-FRIENDLY DISPOSAL



Dispose of packaging in an environmentally-friendly manner.

This appliance is labelled in accordance with European Directive 2012/19/EU concerning used electrical and electronic appliances (waste electrical and electronic equipment - WEEE). The guideline determines the framework for the return and recycling of used appliances as applicable throughout to the EU.

PACKAGE INFORMATION

Packaging materials of the product are manufactured from recyclable materials in accordance with our National Environment Regulations. Do not dispose of the packaging materials together with the domestic or other wastes. Take them to the packaging material collection points designated by the local authorities.

Уважаемый покупатель,

Благодарим за оказанное нам доверие при выборе данного продукта.

Мы ставим задачу позволить вам оптимально и эффективно использовать данный экологически чистый продукт, изготовленный в наших современных производственных помещениях с высокой точностью в соответствии с общими стандартами качества.

Рекомендуем внимательно ознакомиться с данным руководством перед началом эксплуатации и всегда следовать ему, чтобы духовой шкаф оставался таким же, как в день покупки долгое время.

ПРИМЕЧАНИЕ:

Данное руководство пользователя разработано для разных моделей. Ваша модель может не обладать некоторыми функциями, приведенными в руководстве.

Изображения изделия являются схематичными.

Данная модель изготовлена в современных экологически чистых производственных помещениях без отрицательных факторов воздействия среды.

Изделия, отмеченные (*), не входят в комплект поставки.

«В соответствии со стандартом АЕЕЕ»

СОДЕРЖАНИЕ

Важные предупреждения.....	30
Описание прибора.....	34
Технические характеристики.....	35
Таблица с форсункой, потоком газа и мощностью.....	35
Установка прибора.....	35
Важные предупреждения.....	41
Вентиляция помещения.....	43
Переход от природного газа к сжиженному и От сжиженного газа к природному	44
Установка пониженного расхода газа для кранов плиты.....	45
Панель управления.....	45
Типы программ.....	46
Как зажечь духовой шкаф.....	47
Техническое обслуживание и очистка.....	47
Советы по приготовлению.....	48
Таблица приготовления продуктов.....	48
Использование духового шкафа.....	49
Замена лампочки в духовом шкафу.....	50
Очистка стеклянного покрытия духового шкафа.....	50
Очистка и установка дверцы духового шкафа.....	51
Аксессуары.....	52
Использование Отражательной Пластины В Режиме Гриль.....	53
Что делать в случае неисправности.....	53
Утилизация с учетом экологических требований.....	54
Сведения об упаковке.....	54

ВАЖНЫЕ ПРЕДУПРЕЖДЕНИЯ

- 1. ВНИМАНИЕ!** Во избежание поражения электрическим током перед заменой лампочки убедитесь, что цепь разомкнута.
- 2. ВНИМАНИЕ!** Все соединения цепи питания необходимо отсоединить перед доступом к клеммам.
- 3. ВНИМАНИЕ!** Эксплуатируемые части могут нагреваться во время использования решетки. Не подпускайте детей.
- 4. ВНИМАНИЕ!** Не помещайте возгораемые материалы на рабочую поверхность.
- 5. ВНИМАНИЕ!** Если рабочая поверхность повреждена, выключите духовой шкаф во избежание поражения электрическим током.
- 6. ВНИМАНИЕ!** Духовой шкаф и эксплуатируемые части нагреваются во время эксплуатации.
- 7.** Условия установки данного прибора указаны на заводской табличке. (Или на табличке с основными характеристиками)
- 8.** Существует вероятность нагрева эксплуатируемых частей во время использования решетки. Не рекомендуется подпускать маленьких детей.
- 9. ВНИМАНИЕ!** Данное устройство предназначено только для приготовления продуктов питания. Его не следует использовать для других целей, таких как обогрев комнаты.

10. Дополнительные защитные инструменты, чтобы избежать контакта с дверцами духового шкафа. Необходимо прикрепить данную деталь, если есть вероятность, что рядом дети.

11. Не используйте пароочистители для очистки прибора.

12. НИКОГДА НЕ тушите возгорание водой. Только отключите питание прибора, а затем справьтесь с возгоранием, используя средство покрытия огня или пожарное покрывало.

13. Для очистки стеклянной дверцы духового шкафа не рекомендуется использовать жесткие и абразивные очистители или жесткие металлические скребки, поскольку можно поцарапать поверхность стекла, и могут пойти трещины.

14. Когда поместили еду, убедитесь, что дверца плотно закрыта.

15. Дети младше 8 лет могут находиться рядом с прибором только под постоянным присмотром взрослых.

16. Не рекомендуется прикасаться к нагревательным элементам.

17. Данный прибор могут использовать дети старше 8 лет, лица с физическими недостатками, дефектами слуха или умственными недостатками или лица без соответствующего опыта или знаний при условии, что обеспечивается контроль и информация в отношении опасности доведена до сведения.

18. Духовой шкаф не рассчитан на работу в режиме внешней синхронизации или от автономной дистанционной системы управления.

19. Данный прибор предназначен для бытового применения.

20. Дети могут производить очистку и техобслуживание только под руководством взрослых.

21. Дети не должны играть с прибором. Очистка и техобслуживание разрешается детям старше 8 лет под руководством взрослых.

22. Убедитесь, что прибор и кабель вне зоны доступа детей 8 лет и младше.

23. Перед началом эксплуатации убедиться, что рядом с прибором нет занавесок, тонкой бумаги или горючих (воспламеняющихся) материалов. Не помещайте воспламеняющиеся или горючие материалы в самом приборе или на поверхности.

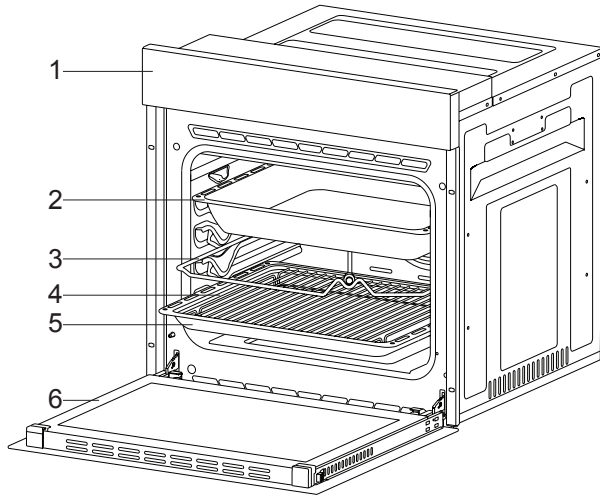
24. Данный прибор не подключается к системе отвода продуктов горения. Данный духовой шкаф должен быть подключен и установлен согласно действующему законодательству по монтажу. Учтите требования, связанные с вентиляцией.

25.Использование газовой конфорки приведет к выбросу влаги и продуктов сгорания в комнату, где размещено устройство. Убедитесь, что кухня хорошо вентилируется, особенно во время использования устройства, и не закрывайте естественные вентиляционные отверстия либо установите механическую систему вентиляции. (Вытяжной колпак над печью.) Постоянное использование данного устройства может потребовать дополнительной вентиляции. Например, открытия окна или перевода механической системы вентиляции на более высокий уровень работы, если возможно.

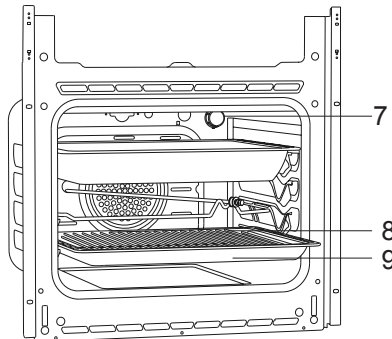
26.«Данное устройство следует устанавливать в соответствии с нормативами и только в хорошо проветриваемых помещениях. Прочтите инструкцию перед установкой или использованием устройства».

27.«Перед установкой устройства проверьте местные условия (тип и давления газа) и убедитесь, что устройство настроено соответствующим образом».

ОПИСАНИЕ ПРИБОРА



- 1. Панель управления
- 2. Глубокий поднос*
- 3. Вертел для жареной курицы*
- 4. Металлическая сетка для гриля в подносе
- 5. Стандартный поднос
- 6. Дверца духового шкафа



- 7. Лампа
- 8. Металлическая сетка для гриля в подносе
- 9. Стандартный поднос

ТЕХНИЧЕСКИЕ ХАРАКТЕРИСТИКИ

СПЕЦИФИКАЦИИ	Встроенный духовой шкаф 60 см
Мощность лампы	15-25Вт
Термостат	100–250 / Макс. °С
Нагреватель для гриля	2000Вт
Напряжение	220–240 В 50/60 Гц

ТАБЛИЦА С ФОРСУНКОЙ, ПОТОКОМ ГАЗА И МОЩНОСТЬЮ

ГОРЕЛКА СПЕЦИФИКАЦИИ	G20, 20 мбар G25, 25 мбар			G20, 25 мбар		G30, 28–30 мбар G31, 37 мбар		G30, 37 мбар	
	Природный Газ			Природный Газ		Сжиженный Газ		Сжиженный Газ	
Grill Burner (Горелка на гриле)	Форсунка	0,92	мм	0,92	мм	0,60	мм	0,60	мм
	Поток газа	0,144	м³/ч	0,144	м³/ч	109	г/ч	109	г/ч
	Мощность	1,50	кВт	1,50	кВт	1,50	кВт	1,50	кВт
Oven Burner (Горелка духового шкафа)	Форсунка	0,97	мм	0,97	мм	0,65	мм	0,65	мм
	Поток газа	0,171	м³/ч	0,171	м³/ч	131	г/ч	131	г/ч
	Мощность	1,80	кВт	1,80	кВт	1,80	кВт	1,80	кВт

Для улучшения качества продукта технические характеристики могут быть изменены без предупреждения.

Значения, относящиеся к прибору или его сопроводительные документы являются лабораторными данными согласно соответствующим стандартам. Данные значения могут отличаться в зависимости от условий эксплуатации и среды.

Рисунки, представленные в данном руководстве, выполнены схематично и могут не совпадать полностью с вашим продуктом.

УСТАНОВКА ПРИБОРА

Убедитесь в том, что электрическая установка подходит для ввода прибора в эксплуатацию. В противном случае обращайтесь к электрику или слесарю-сантехнику. Фирма-изготовитель не несет ответственность за ущерб в результате действий со стороны неуполномоченных лиц, и гарантия на продукт в таком случае становится недействительной.

ВНИМАНИЕ! Обязанность покупателя подготовить место для размещения продукта и обеспечить источник электропитания.

ВНИМАНИЕ! Необходимо придерживаться правил местных стандартов для электроустановок во время установки изделия.

ВНИМАНИЕ! Проверьте изделие на наличие повреждений перед установкой. Не производите установку, если есть повреждения. Поврежденные изделия представляют опасность вашей безопасности.

Важные предупреждения при установке:

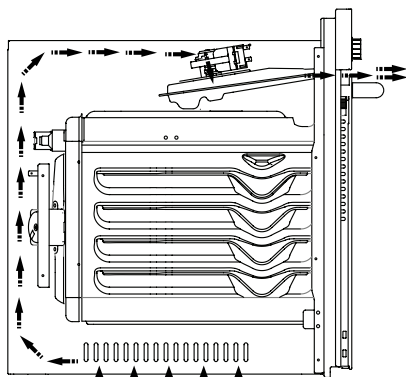


Рисунок 1

Охлаждающий вентилятор должен выдувать лишний пар и защищать наружные поверхности духового шкафа от перегрева во время его эксплуатации. Это является необходимым условием для надежной работы прибора и качественного приготовления. Охлаждающий вентилятор продолжает работать после завершения приготовления. Вентилятор автоматически прекратит работу после завершения охлаждения.

Для обеспечения эффективной и надежной работы духового шкафа необходимо обеспечить зазор между его задней стенкой и примыкающей поверхностью. Данный зазор следует соблюсти, поскольку это требуется для работы вентиляционной системы духового шкафа.

Выбор места для установки

По разработке духовой шкаф встраивается в покупные кухонные гарнитуры. Необходимо оставить безопасное расстояние между духовым шкафом и стенами кухни или мебели. См. чертеж на следующей странице, на котором представлены соответствующие расстояния. (значения в мм)

- Напольные покрытия, бывшие в употреблении, синтетический ламинат и клейкие материалы должны быть жаростойкими. (минимум 100 °С).
- Кухонные шкафы должны быть на одном уровне с духовым шкафом и вплотную.
- Если есть выдвижной ящик под духовым шкафом, то между духовым шкафом и ящиком необходимо поместить подставку.

ВНИМАНИЕ! Не устанавливайте рядом с холодильниками или холодильными установками. Тепло, выделяемое духовым шкафом, увеличивает потребление энергии охлаждающих устройств.

ВНИМАНИЕ! Не используйте дверцу или ручку, чтобы перенести или подвинуть духовой шкаф.

Установка и монтаж встроенного духового шкафа 60 см

Перед началом установки необходимо выбрать место для духового шкафа.

Не рекомендуется устанавливать там, где сильный поток воздуха.

Переносите духовой шкаф как минимум вдвоем. Не перетаскивайте шкаф, чтобы не повредить пол.

Удалите все прокладки для транспортировки внутри и снаружи. Выньте все материалы и документы из духового шкафа.

Установка под столешницей

Корпус должен соответствовать габаритам, указанным на рисунке 2.

Необходимо предусмотреть зазор от задней части корпуса, как показано на рисунке, для обеспечения соответствующей вентиляции.

Зазор между нижней и верхней частью столешницы после установки указан на рисунке 5 с обозначением «А». Следует оставлять открытым для обеспечения вентиляции.

Установка в шкафу на возвышении

Корпус должен соответствовать габаритам, указанным на рисунке 4.

Необходимо предусмотреть зазоры с габаритами, указанными на рисунке, от задней части корпуса, верхней и нижней секций для обеспечения соответствующей вентиляции.

Требования к установке

Габариты духового шкафа даны на рисунке 3.

Материал кухонного гарнитура при установке и крепежный материал должны иметь минимальную термостойкость 100 °С.

Необходимо закрепить монтажный корпус на ровном основании, чтобы духовой шкаф не заваливался.

Основание корпуса должно обладать минимальной прочностью для нагрузки 60 кг.

Установка и крепление духового шкафа

Поместите духовой шкаф в корпус вдвоем или втроем.

Убедитесь, что духовой шкаф вписывается в кухонный гарнитур.

Кабель питания не должен находиться под духовым шкафом, вставьте его между духовым шкафом и кухонным гарнитуром или отвести к стене.

Прикрепите духовой шкаф к кухонному гарнитуру с помощью винтов, входящими в комплект поставки. Вставьте винты, как показано на

рисунке 5, в пластмассовые пластинки, прикрепленные к раме духового шкафа. Не перетягивайте винты. В противном случае можно сорвать резьбу.

Убедитесь, что после монтажа духовой шкаф надежно закреплен. Если монтаж духового шкафа произведен не в соответствии с инструкциями, есть риск того, что он опрокинется во время эксплуатации.

Электрическое соединение

Место монтажа духового шкафа должно иметь соответствующую электропроводку.

Напряжение в сети должно быть совместимым с тем, которое указано на типовой этикетке изделия.

Подсоединения духового шкафа необходимо выполнить в соответствии с местными и национальными требованиями по электропитанию.

Перед началом монтажа отключите сетевое питание. Не подключайте духовой шкаф к сети до завершения монтажа.

Монтаж

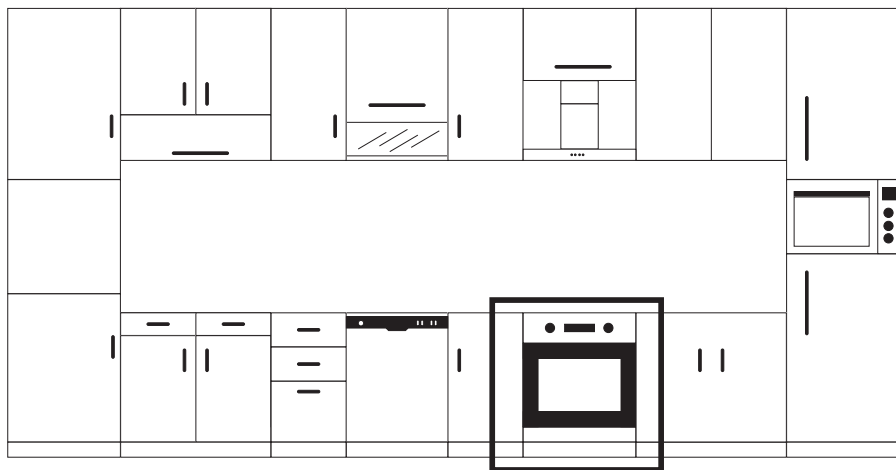


Рисунок 2

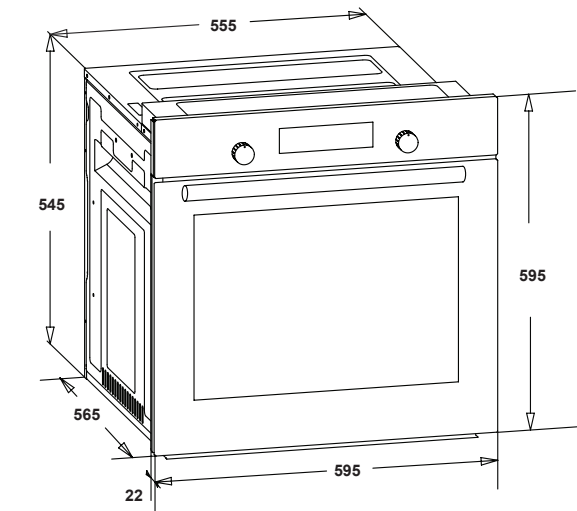
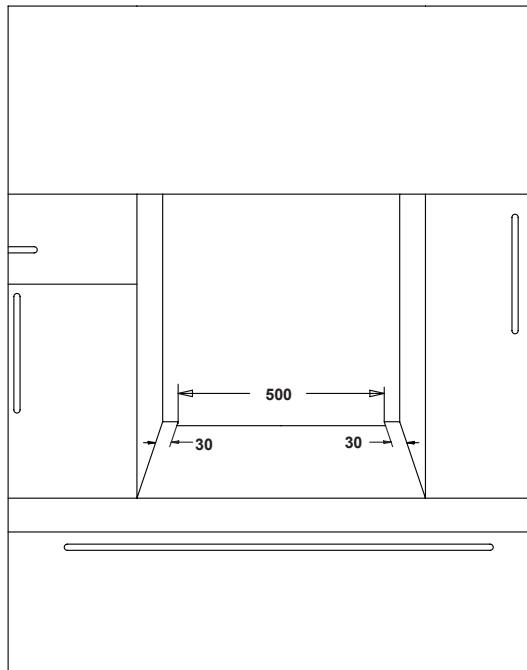
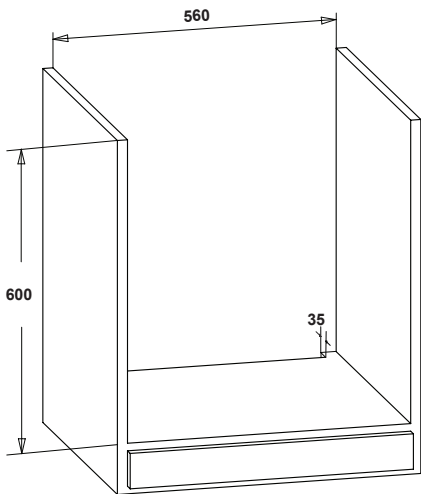


Рисунок 3

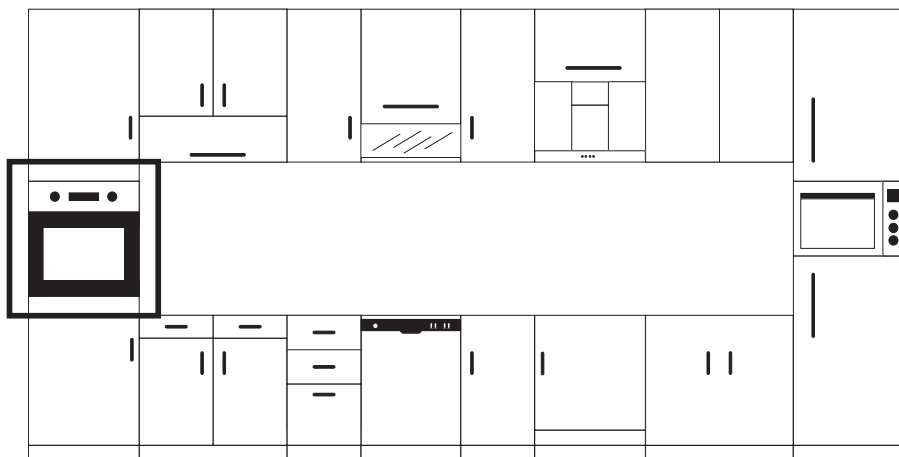
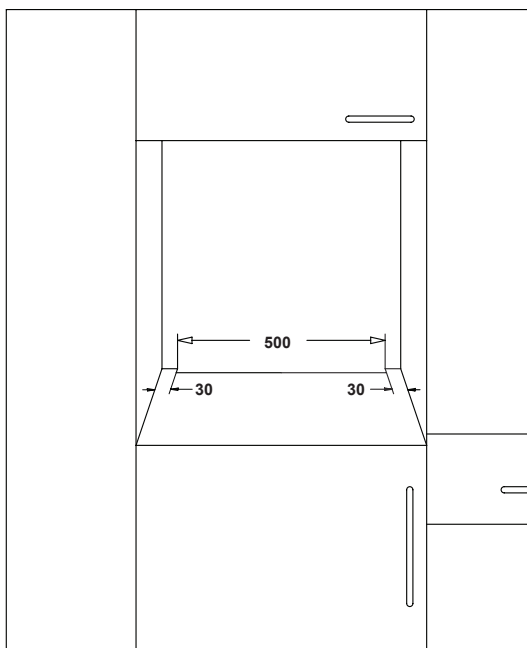
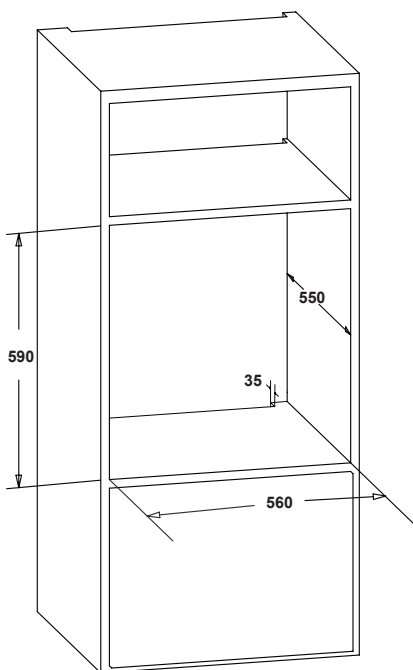


Рисунок 4



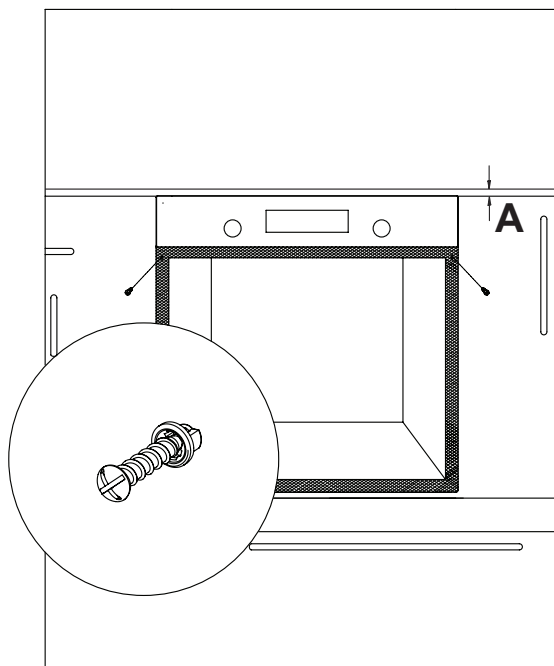


Рисунок 5

ВАЖНЫЕ ПРЕДУПРЕЖДЕНИЯ

Электрические соединения и безопасность

Надлежащая установка и подключение духового шкафа должны быть выполнены уполномоченной службой согласно указаниям изготовителя.

Прибор должен быть установлен в кожух духового шкафа, что обеспечивает сильную вентиляцию.

Электрические соединения прибора должны выполняться через розетки с системой заземления в соответствии со стандартами. Свяжитесь с уполномоченным инженером-электриком, если в месте установки прибора отсутствует розетка, которая соответствует системе заземления. Компания-изготовитель никоим образом не несет ответственность за ущерб при подсоединении прибора к незаземленным розеткам.

Штепсельная вилка духового шкафа должна иметь систему заземления; убедитесь, что розетка под штепсельную вилку заземлена. Штепсельная вилка должна быть в зоне досягаемости после установки.

Духовой шкаф изготовлен с расчетом на 220–240 В 50/60 Гц.

Необходимо соответствующее питание от сети переменного тока и 16-амперный предохранитель. Если ваша сеть питания не рассчитана на указанные параметры, обращайтесь к инженеру-электрику или уполномоченной службе.

В случае необходимости заменить электрический предохранитель, убедитесь, что электрическое соединение выполнено следующим образом:

- Фаза (на клеммы под напряжением) коричневый кабель
- Синий кабель на нулевой вывод
- Кабель желтый с зеленым на зажим заземления

Выключатели духового шкафа должны быть доступны для конечного пользователя после установки.

Кабель питания (кабель со штепсельным соединением) не должен соприкасаться с горячими деталями прибора.

Если кабель питания (кабель со штепсельным соединением) поврежден, данный кабель должен заменить продавец, сервисный агент или соответствующий компетентный персонал, чтобы не допустить фактор риска.

Подключение газа и надежность

Подключение газа и безопасность

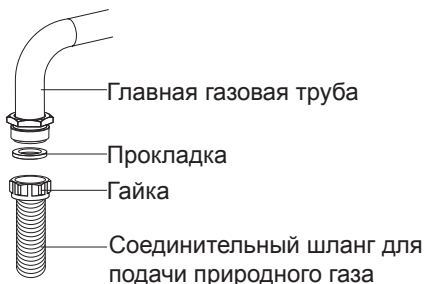


1. Для соединения сжиженного газа (цилиндр) прикрепите металлический фиксатор на шланг, идущий от цилиндра сжиженного газа. Подсоедините край шланга к впускному штуцеру, находящемуся за духовым шкафом, предварительно нагрев шланг в кипяченной воде. Затем установите фиксатор на конце шланга и затяните отверткой. Уплотнительный и впускной штуцер шланга, необходимый для подсоединения, показан на картинке ниже.

ПРИМЕЧАНИЕ. Редуктор, подсоединяемый к цилиндру сжиженного газа должен иметь конструктивную особенность типа 300 mmSS.



Газовый шланг и электрическое соединение устройства не следует размещать вблизи нагретых участков, как, например, задней стенки. При подсоединении газовый шланг должен иметь витки с большим углом во избежание его разрыва. После выполнения газового подсоединения передвижение духового шкафа может вызвать утечку газа.



2. Подключение природного газа должен выполнять персонал специализированной службы. При подсоединении природного газа поместите прокладку в гайку на конце шланга для подсоединения природного газа. Для установки шланга на главную газовую трубку закрутите гайку.

Произведите проверку на утечку газа после подсоединения.

3. Подсоедините ваш духовой шкаф к газовой плите самым быстрым способом, избежав при этом утечки. В целях безопасности длина шланга должна быть максимум 125 см и минимум 40 см.

4. При контроле на утечку газа ни в коем случае не пользуйтесь зажигалкой, спичками, не поджигайте сигарету или подобный воспламеняемый материал.

5. Нанесите мыльную пену на точки соединения. Если есть утечки, на участках с мыльной пеной произойдет вспенивание.

ВЕНТИЛЯЦИЯ ПОМЕЩЕНИЯ

Воздух, необходимый для горения, поступает из комнатного воздуха, а выход газа идет непосредственно в комнату. Для безопасной эксплуатации духового шкафа хорошее проветривание помещения является необходимым условием. Необходимо предусмотреть дополнительную вентиляцию в помещении, если в нем отсутствует окно или иные средства для обеспечения вентиляции. Однако в помещении есть дверь с открыванием наружу, и нет необходимости оборудовать отверстия для вентиляции.

Размер комнаты	Вентиляционное отверстие
Меньше 5м ³	мин. 100см ²
Между 5м ³ и 10м ³	мин. 50см ²
Больше 10м ³	Не требуется
В цокольном этаже или подвале	мин. 65см ²

ПЕРЕХОД ОТ ПРИРОДНОГО ГАЗА К СЖИЖЕННОМУ И ОТ СЖИЖЕННОГО К ПРИРОДНОМУ

Демонтаж верхней горелки:

Отверткой выверните винт, как показано на рисунке 6. Как показано на рисунке 7, снимите горелку, потянув ее на себя. Как показано на рисунке 8, удалите форсунку в постели подшипника с помощью гнездового ключа и замените форсунку. Для замены горелки используйте инструкцию по демонтажу в обратном порядке.

Рисунок 6

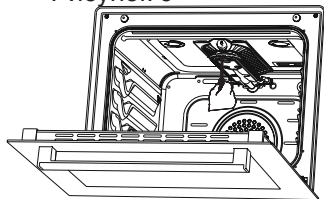


Рисунок 7

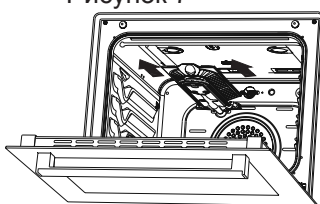
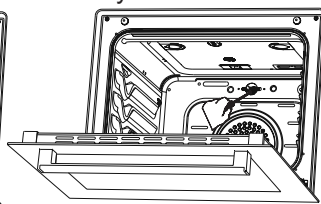


Рисунок 8



Снятие нижней горелки:

Дверца нижней горелки затянута двумя винтами. Как показано на рисунке 9, выверните их отверткой. Снимите дверцу, потянув вверх, как показано на рисунке 10. Как показано на рисунке 11, снимите горелку, потянув ее на себя. Как показано на рисунке 12, удалите форсунку в постели подшипника с помощью гнездового ключа и замените форсунку. Для замены горелки используйте инструкцию по демонтажу в обратном порядке.

Рисунок 9

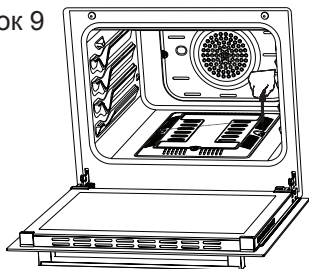


Рисунок 10

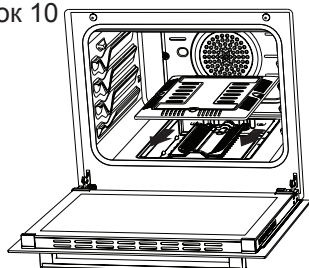


Рисунок 11

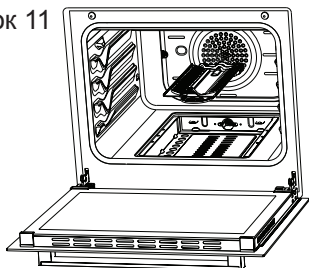
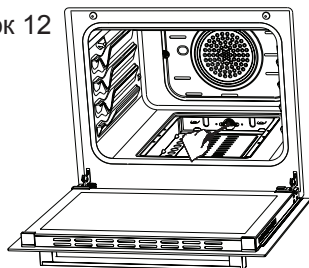


Рисунок 12



УСТАНОВКА ПОНИЖЕННОГО РАСХОДА ГАЗА ДЛЯ КРАНОВ ПЛИТЫ

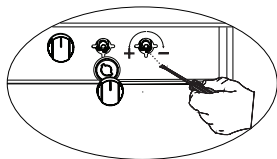


Рисунок 13

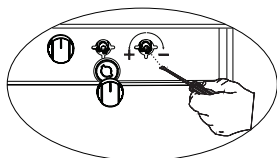


Рисунок 14

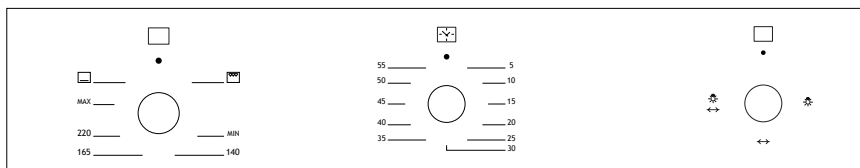
1. Зажгите горелку, которую необходимо отрегулировать, и поверните ручку в положение пониженного расхода.
2. Снимите ручку с газового крана.
3. Воспользуйтесь подходящей по размеру отверткой, чтобы повернуть винт регулировки расхода. Для сжиженного газа (Бутан-пропан) поверните винт по часовой стрелке. Для природного газа винт необходимо повернуть один раз против часовой стрелки. «Нормальная длина прямой рамы в положении пониженного расхода газа должна быть 6–7 мм».
4. Если рама выше нужного положения, поверните винт по часовой стрелке. Если меньше против часовой стрелки.

5. В заключение включите обе горелки на большое пламя, ручки установите в положение пониженного расхода газа и проверьте, горит пламя или нет.

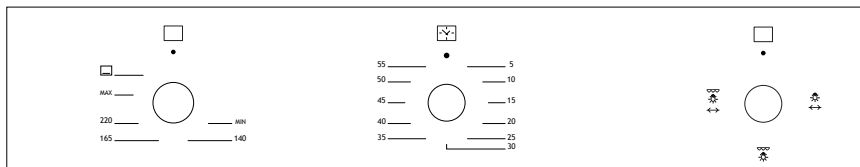
В зависимости от типа газового крана, используемого в вашем устройстве, положение регулировочного винта может быть различным.

Для регулировки духового шкафа в соответствии с типом газа осторожно установите положение пониженного расхода газа, сделав поворот маленькой отверткой, как показано ниже на винте в середине газовых кранов, а также форсунок. (Рисунки 13 и 14)

ПАНЕЛЬ УПРАВЛЕНИЯ



Изображение панели управления встроенного газового шкафа



Изображение панели управления встроенного комплексного духового шкафа

Функция «roast chicken» является дополнительной.

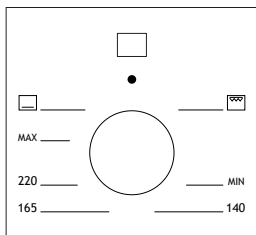


Рисунок 15

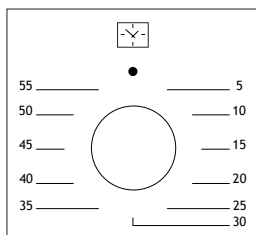


Рисунок 16

Ручка управления духовкой: Обеспечивает контроль газовых горелок (для термостатической горелки печи и верхней горелки). Также вы можете использовать функцию зажигания под ручкой для пламени газовых горелок.

***Кнопка механического таймера:** Помощь при установке времени для продуктов приготовления. таблицу приготовления, чтобы узнать время приготовления.

ТИПЫ ПРОГРАММ

Типы программ термической обработки духового шкафа и их описания представлены ниже, чтобы можно было готовить разные продукты питания в зависимости от вкуса.

	Горелка духового шкафа		Горелка на гриле
	Жареный цыпленок		Лампа
	Таймер		Турбо вентилятор*

Горелка духового шкафа: Можно подогреть или поддурмянить еду за счет нижнего подогрева. Больше всего подходит для разогрева консервированных продуктов длительного хранения.

Горелка на гриле: Данная функция используется для приготовления на гриле. Поместите еду на проволочную решетку и поставьте ее на верхний противень духового шкафа. После этого поместите глубокий поднос под проволочную решетку.

КАК ЗАЖЕЧЬ ДУХОВОЙ ШКАФ

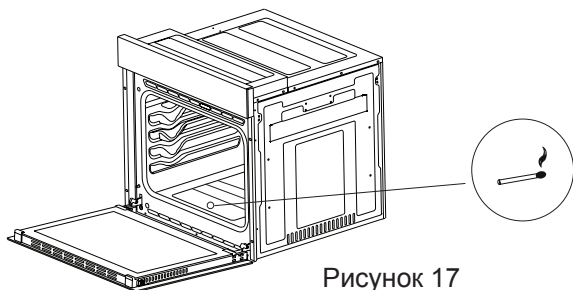


Рисунок 17

В случае сбоя подачи электропитания горелку духового шкафа можно зажечь вручную:

1. Откройте дверцу духового шкафа.
2. Поднести спичку или зажигалку к выходному отверстию горелки, как показано на рисунке.

3. Когда горелка запалена, закрывайте дверцу духового шкафа.

ПРИМЕЧАНИЕ. Если горелка внезапно погаснет, поверните ручку управления в положение «off» (выкл.), откройте дверцу духового шкафа, проветрите кухню и подождите как минимум одну минуту прежде чем снова запалить горелку.

ВНИМАНИЕ! Духовой шкаф оснащен автоматическим переключателем. Используйте эту характеристику при отказе электропитания.

ТЕХНИЧЕСКОЕ ОБСЛУЖИВАНИЕ И ОЧИСТКА

1. Выньте вилку из электрической розетки.
2. Не чистите внутренние части, панель, подносы и остальные части духового шкафа жесткими предметами: твердыми щетками, проволочными мочалками или ножом. Не применяйте абразивные, царапающие материалы или моющие средства.
3. Когда протрете детали у основания духового шкафа, оботрите их мыльной тканью, а затем вытрите насухо мягкой тканью.
4. Чистите стеклянные поверхности специальным материалом для очистки стекла.
5. Не чистите духовой шкаф пароочистителями.
6. При чистке духового шкафа никогда не используйте горючие вещества, как, например, кислотный раствор, растворитель и газ.
7. Не промывайте детали печи в посудомоечной машине.
8. «Для очистки грязи и пятен используйте стеарат калия (жидкое мыло).

В соответствии с рисунками, приведенными ниже, чистку можно производить мягкой текстурной тканью, чтобы не поцарапать.

СОВЕТЫ ПО ПРИГОТОВЛЕНИЮ

В приведенной таблице можно найти информацию о типах продуктов питания, которые мы протестировали и определили их показатели приготовления в наших лабораториях. Время приготовления может варьироваться в зависимости от сетевого напряжения, качества продукта питания, его количества и температуры. Блюдо, приготовленное согласно этим параметрам, возможно, придется вам не по вкусу. Путем проб можно приготовить различные блюда и достичь результатов, которые вас порадуют.

ВНИМАНИЕ! Прежде чем поместить продукт питания в духовой шкаф, его необходимо предварительно разогреть в течение 7-10 минут.

ТАБЛИЦА ПРИГОТОВЛЕНИЯ

Блюда	Функция Приготовления	Температура (°C)	Полка	Время (мин.)
Торт	духовой шкаф	170-180	3	35-45
Небольшие Торты	духовой шкаф	170-180	3	25-30
Пэтти	духовой шкаф	180-200	3	35-45
Торт	духовой шкаф	180-190	3	25-30
Печенье	духовой шкаф	170-180	3	20-25
Яблочный Пирог	духовой шкаф	180-190	3	50-70
Бисквит	духовой шкаф	200/150*	3	20-25
Пицца	духовой шкаф	180-200	3	20-30
Лазанья	духовой шкаф	180-200	3	25-40
Меренга	духовой шкаф	100	3	60
Курица	духовой шкаф	180-190	3	45-50
Курица На Гриле**	Гриль	200-220	3	25-30
Жареная Рыба**	Гриль	200-220	4	25-30
Стейк Без Костей**	Гриль	Max.	4	15-20
Фрикаделька**	Гриль	Max.	4	20-25

* без предварительного нагрева Первая половина времени приготовления при температуре 200°C, остальное время - 150°C.

** В середине продолжительности приготовления необходимо перевернуть продукты.

ИСПОЛЬЗОВАНИЕ ДУХОВОГО ШКАФА

Первое использование духового шкафа

После подсоединения духового шкафа при первом его использовании необходимо следующее согласно инструкции:

1. Выньте из духового шкафа иллюстрированный материал и запасные детали. Снимите защитную пленку на передней стенке прибора, если она есть.

2. Для удаления остатков пыли и упаковки протрите влажной тканью внутри духового шкафа. Внутри духового шкафа ничего не должно находиться. Подсоедините кабель прибора к электрической розетке.

3. Установите кнопку термостата на максимальную температуру (макс. 250 °C) и дайте духовому шкафу поработать в течение 30 минут при том, чтобы его дверца была закрыта. Вполне нормально, что может появиться легкий дым и запах.

4. Помойте внутри духового шкафа чуть теплой водой с моющим средством после того, как он остынет, а затем вытрите насухо. Теперь можете использовать свой духовой шкаф.

Нормальное использование духового шкафа

1. Одновременная работа верхней и нижней горелок в данной газовой духовке невозможна. Для использования выбранной горелки сначала надо утопить ручку переключателя горелок и подержать ее в нажатом состоянии в течение 5-ти секунд для выпуска воздуха из трубы. Затем, при помощи автоматического розжига (опция) или спичек можно зажечь горелку.

2. Для запуска системы газконтроля, после розжига горелки, продолжайте удерживать в утопленном состоянии ручку переключателя горелок в течение 10-15 секунд.

3. Дверцу духовки следует закрыть после розжига и нормальной работы горелки в течение 1- 2 минут.

Верхняя горелка (гриль):

1. При работе гриля всегда держите открытой дверцу духового шкафа.

2. По возможности используйте куски мяса одинаковой толщины. Тогда они будут обжариваться равномерно, сохраняя внутри влагу и будут мягкими. Бифштексы следует солить после прожарки. Куски мяса укладывайте непосредственно на металлическую решетку. В случае приготовления цельного куска мяса, его рекомендуется расположить по центру решетки.

3. Под решетку необходимо установить глубокий противень для стекающего с мяса сока и жира. Тогда духовка у Вас всегда будет чистой.

4. Мясо необходимо перевернуть после того, как пройдет две трети времени его приготовления.

ЗАМЕНА ЛАМПОЧКИ В ДУХОВОМ ШКАФУ

ВНИМАНИЕ! Во избежание поражения электрическим током перед заменой лампочки убедитесь, что цепь разомкнута.

(Если цепь разомкнута, то подачи электричества отсутствует)

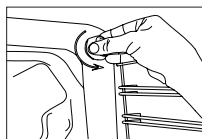
Вначале отключите питание от прибора и убедитесь, что он остыл.

Удалите защитное стекло, повернув его в левую сторону, как показано на рисунке. Если не удастся повернуть, то используйте латексные перчатки.

Затем выверните лампочку, вставьте новую с теми же характеристиками. Характеристики лампочки должны быть следующими:

Снова вставьте защитное стекло и в завершении вставьте силовой кабель духового шкафа в электрическую розетку. Теперь можете использовать свой духовой шкаф.

Тип G9 Лампы



220-240 В, AC
15-25 Вт

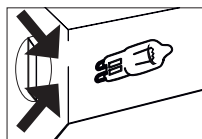


Рисунок 18

Тип E14 Лампы



220-240 В, AC
15 Вт



Рисунок 19

ОЧИСТКА СТЕКЛЯННОГО ПОКРЫТИЯ ДУХОВОГО ШКАФА

Поднимите нажатием на пластиковые защелки слева и справа, как показано на рисунке 20, и потяните профиль на себя, как показано на рисунке 21. Стекло высвобождается, если вынуть профиль, как показано на рисунке 22. Выньте стекло, аккуратно потянув на себя. Наружное стекло крепится к профилю дверцы духового шкафа. Когда вынете стекла, их легко можно почистить. После завершения очистки и техобслуживания можно установить стекла на место, выполняя в/у инструкции в обратном порядке. Убедитесь в том, что профиль установлен надежно на своем месте.

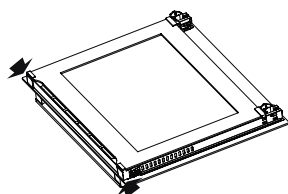


Рисунок 20

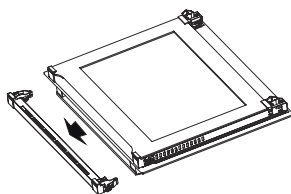


Рисунок 21

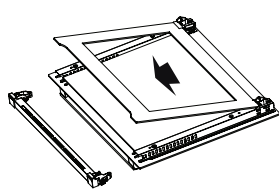


Рисунок 22

ОЧИСТКА И УСТАНОВКА ДВЕРЦЫ ДУХОВОГО ШКАФА

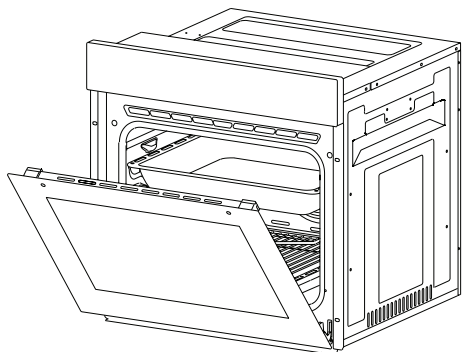


Рисунок 23

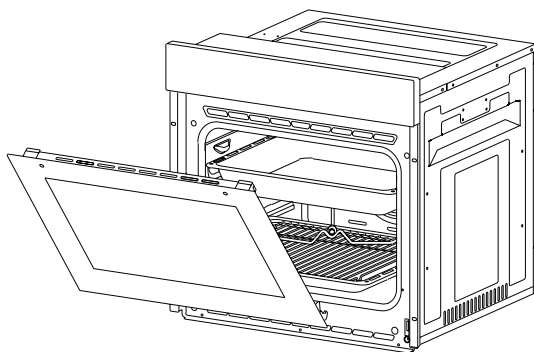


Рисунок 24

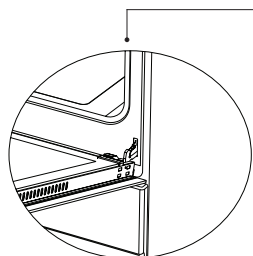


Рисунок 23.1

Откройте полностью дверцу, потянув ее на себя. Затем выполните операцию по разблокировке, потянув шарнирный замок вверх с помощью отвертки, как показано на **рисунке 23.1**.

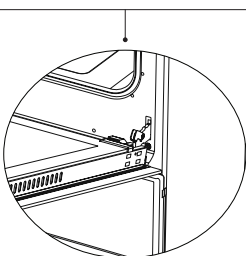


Рисунок 23.2

Установите шарнирный замок на самый большой угол как на **рисунке 23.2**. Отрегулируйте оба шарнира, которые крепят дверцу к духовому шкафу в том же положении.

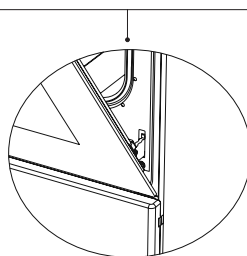


Рисунок 24.1

Позднее закройте открытую до этого дверцу, так чтобы она соприкасалась с шарнирным замком как на **рисунке 24.1**.

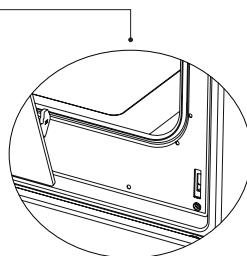
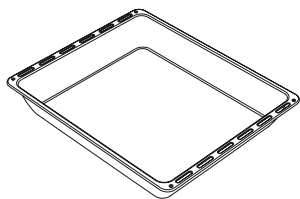


Рисунок 24.2

Для удобного снятия дверцы духового шкафа возьмитесь за нее обеими руками, когда она почти закрылась, как показано на **рисунке 24.2**, и потяните вверх.

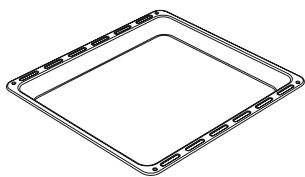
Соответственно следуйте в обратном порядке инструкции для повторной установки дверцы духового шкафа.

АКСЕССУАРЫ (Вспомогательные)



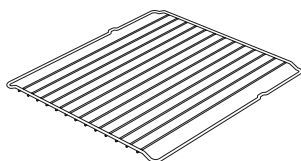
Глубокий поднос *

Используется для выпечки хлебо-булочных изделий, приготовления больших запеканок, жидких блюд. Используется для выпекания кексов, а также в качестве сборника для жира в случае запекания мясных продуктов или размораживания замороженных продуктов на гриле.



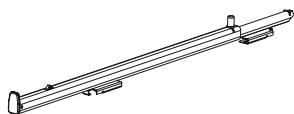
Поднос

Используется для выпекания хлебо-булочных изделий (печенье, бисквиты, и т.д.), размораживания продуктов.



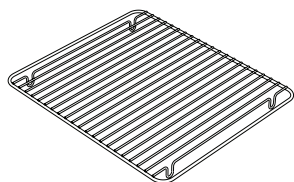
Решетка (гриль)

Используется для жарки, а также для размещения продуктов под запекание, жарку или размораживание на необходимом уровне.



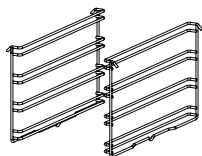
Телескопические направляющие *

Благодаря телескопическим направляющим подносы или решетки с легкостью устанавливаются и снимаются.



Решетка на поднос *

Продукты, которые могут пригореть во время запекания, такие как отбивная, укладываются на решетку внутри подноса. Таким образом предотвращается прилипание и пригорание продуктов к подносу.



Решетки *

Вы можете устанавливать глубокий и стандартный подносы на верхнюю и нижнюю решетку одновременно во время приготовления пищи.

ИСПОЛЬЗОВАНИЕ ОТРАЖАТЕЛЬНОЙ ПЛАСТИНЫ В РЕЖИМЕ «ГРИЛЬ» *

1. Откройте дверцу духовки и установите теплозащитный экран под панель управления. (Рис. 26)
2. Установите обе проушины экрана в кронштейны, расположенные под панелью управления. Затем прикройте дверцу духового шкафа и зафиксируйте теплозащитный экран между духовкой и внутренней стороной дверцы. (Рис. 27)
3. Очень важно при работе верхней горелки духовки держать дверцу открытой в соответствии с установленным расстоянием. Если закрыть дверцу, то верхняя горелка духовки погаснет.
4. Теплозащитный экран наряду с защитной функцией панели управления и переключателей обеспечивает идеальный режим приготовления пищи при работе гриля.

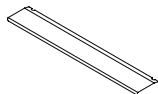


Рисунок 25

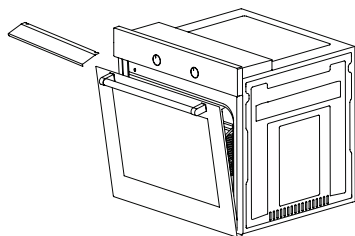


Рисунок 26

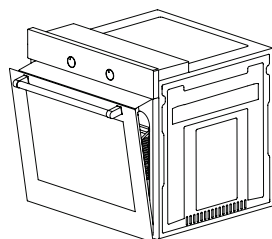


Рисунок 27

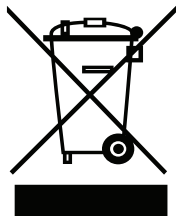
ЧТО ДЕЛАТЬ В СЛУЧАЕ НЕИСПРАВНОСТИ

Прежде чем звонить в техническую службу по поводу возникших неисправностей проверьте следующее.

Если духовой шкаф не работает,

- Проверьте, подключен ли электрический кабель духового шкафа.
- Убедитесь, что в сети есть напряжение.
- Проверьте предохранители.
- Проверьте электрический кабель духового шкафа на наличие повреждений.

УТИЛИЗАЦИЯ С УЧЕТОМ ЭКОЛОГИЧЕСКИХ ТРЕБОВАНИЙ



Утилизируйте упаковку с учетом требований по охране окружающей среды.

Данное устройство маркировано в соответствии с Европейской Директивой 2012/19/EU по утилизации использованных электрических и электронных устройств (утилизация электрического и электронного оборудования WEEE). В руководстве определяются стандарты по возврату и переработке использованных устройств, применимые во всех странах Европейского Союза.

СВЕДЕНИЯ ОБ УПАКОВКЕ

Упаковочные материалы изделия изготовлены из перерабатываемых материалов в соответствии с нашими Национальными нормативами об окружающей среде. Не утилизируйте упаковочные материалы вместе с другими бытовыми или иными отходами. Сдайте их в точки сбора упаковочных материалов, установленные местной администрацией.